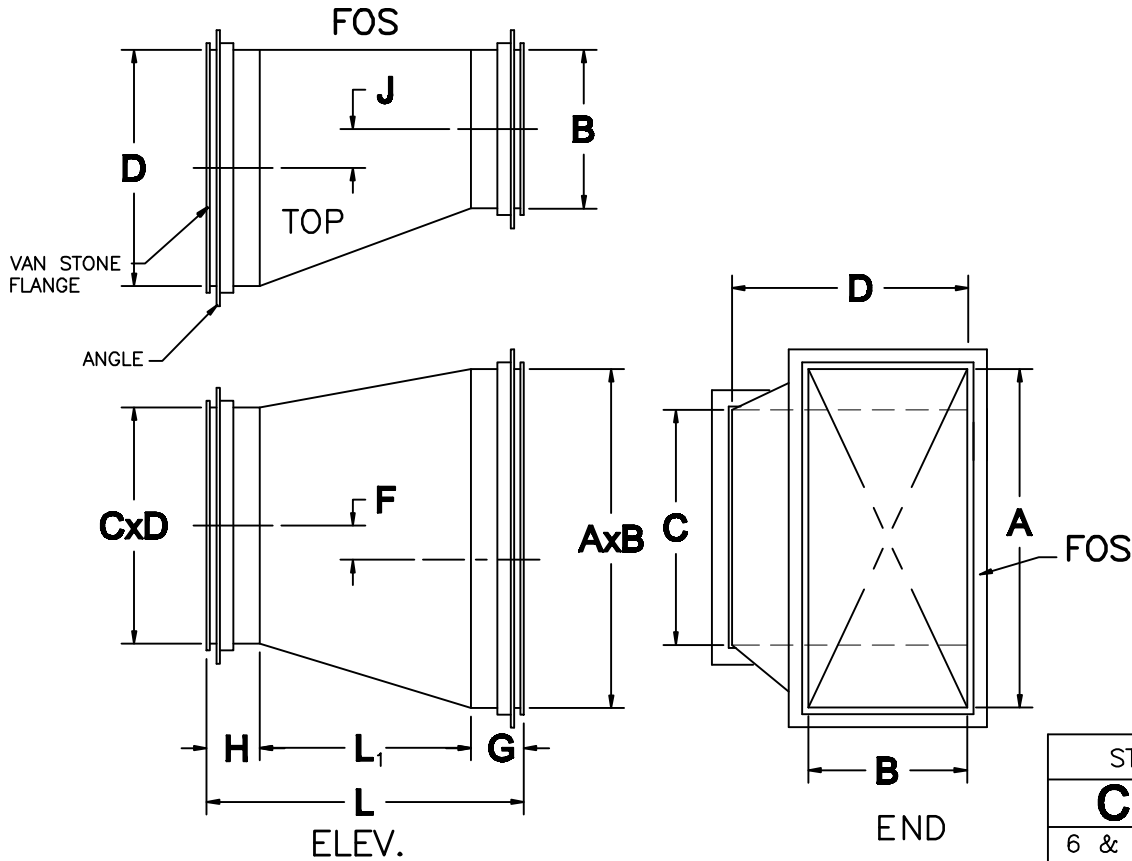


# VIRON<sup>®</sup> INTERNATIONAL CORP.

OWOSSO, MICHIGAN    TEMPLE, TEXAS  
 989-723-8255  
 989-723-8417 FAX    EMAIL: vironinfo@vironintl.com  
 ENVIRONMENTAL CONTROL SYSTEMS

USER	
REP.	
JOB NO.	
DATE	SHEET OF
DRAWN BY	



**NOTES:**

- 304L  316L SST MATERIAL WITH 2B FINISH.
- 304 SST ANGLE DRILLED.
- HALAR COATING, INTERIOR ONLY.
- TIG WELDS ONLY.
- FUSION WELDS ON ALL LONGITUDINAL SEAMS.
- G & H REQUIRE A 3" MINIMUM LENGTH.

STANDARD LENGTHS	
C x D	L
6 & UNDER	12"
8"	14"
10" TO 12"	24"
14" TO 18"	30"

STATIC PRESSURE

-6"WG     -10"WG

OTHER: \_\_\_\_\_

PART NUMBER	DESCRIPTION										GA	QTY	
	A	B	C	D	F	G	H	J	L	L <sub>1</sub>			

**SSTEELCOAT<sup>®</sup> RECTANGULAR, TAPER FLAT ON (2) SIDES**