

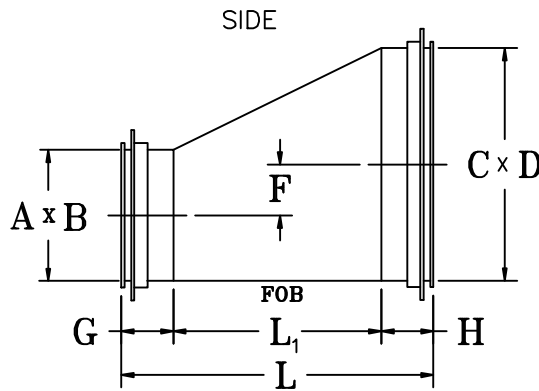
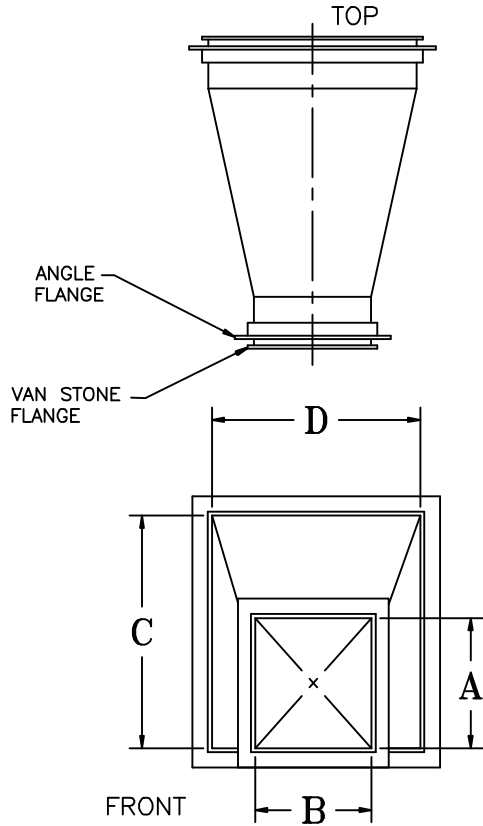
# VIRON<sup>®</sup> INTERNATIONAL CORP.

OWOSSO, MICHIGAN      TEMPLE, TEXAS  
989-723-8255

989-723-8417 FAX      EMAIL: vironinfo@vironintl.com

ENVIRONMENTAL CONTROL SYSTEMS

USER	
REP.	
JOB NO.	
DATE	SHEET OF
DRAWN BY	



STANDARD LENGTHS	
C x D	L
6" & UNDER	12"
8"	14"
10" TO 12"	24"
14" TO 18"	30"

**NOTES:**

- 304L  316L SST MATERIAL WITH 2B FINISH.
- 304 SST ANGLE DRILLED.
- HALAR COATING, INTERIOR ONLY.
- TIG WELDS ONLY.
- FUSION WELDS ON ALL LONGITUDINAL SEAMS.
- "G" & "H" REQUIRE A 3" MINIMUM LENGTH.

STATIC PRESSURE

-6"WG     -10"WG

OTHER: \_\_\_\_\_

PART NUMBER	DESCRIPTION									GA	QTY
	A	B	C	D	F	G	H	L	L <sub>1</sub>		

## SSTEEL<sup>®</sup> COAT RECTANGULAR, TAPER, FOB