

VIRON® INTERNATIONAL CORP.

OWOSSO, MICHIGAN TEMPLE, TEXAS
 989-723-8255

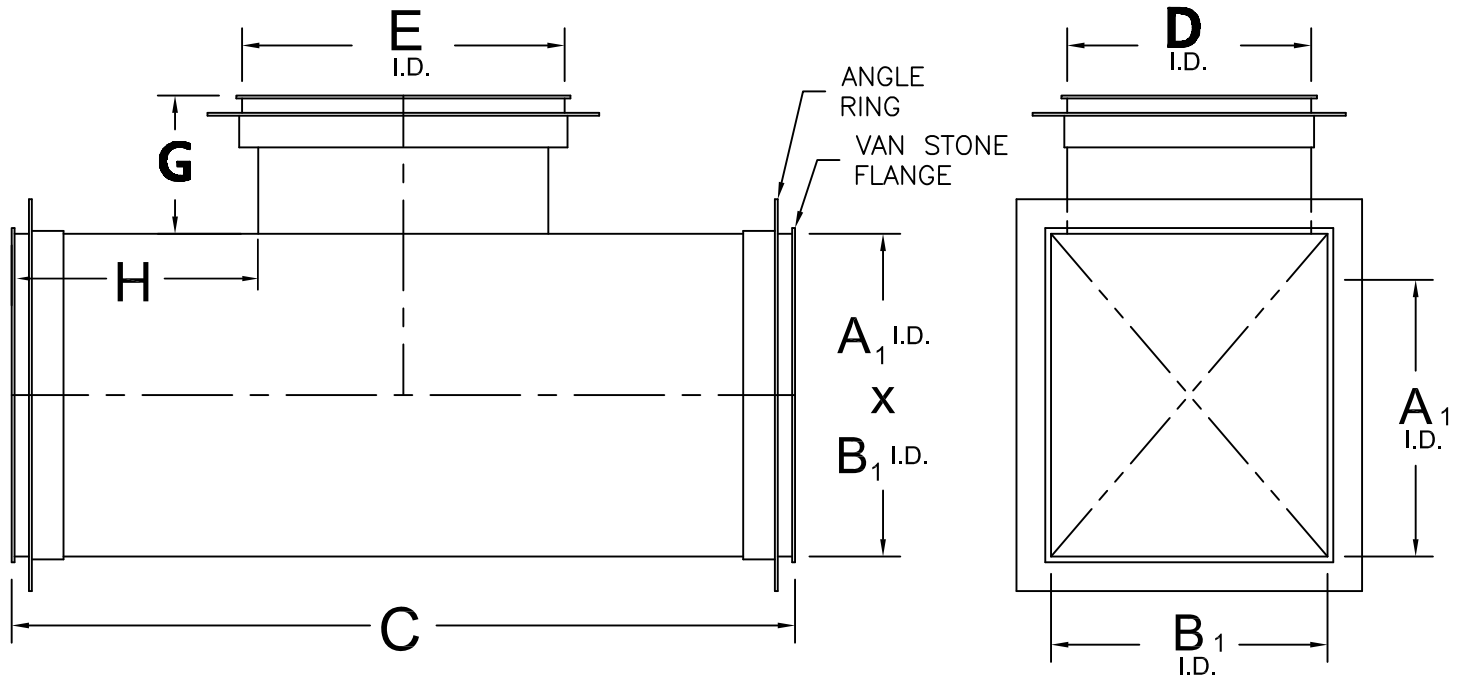
989-723-8417 FAX EMAIL: vironinfo@vironintl.com

ENVIRONMENTAL CONTROL SYSTEMS

USER	
REP.	
JOB NO.	
DATE	SHEET OF
DRAWN BY	

STANDARD LENGTHS

47" LONG



NOTES:

- 304L 316L SST MATERIAL WITH 2B FINISH.
- 304 SST DRILLED ANGLE
- HALAR COATED INTERIOR ONLY.
- FUSION WELDS ON ALL LONGITUDINAL SEAMS.

STATIC PRESSURE	
<input type="checkbox"/> -6"WG	<input type="checkbox"/> -10"WG

PART NO.	DESCRIPTION							GA	QTY	REMARKS
	A	B	C	D	E	G	H			

SSTEELCOAT® RECTANGULAR STRAIGHT + RECT. TAP