

**VIRON**® INTERNATIONAL CORP.

OWOSSO, MICHIGAN      TEMPLE, TEXAS

989-723-8255

989-723-8417 FAX

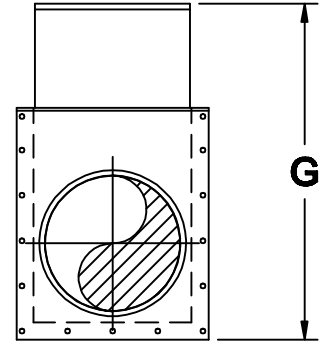
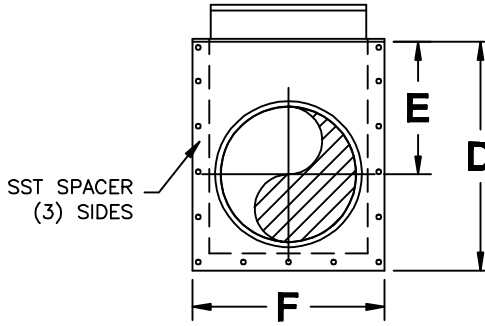
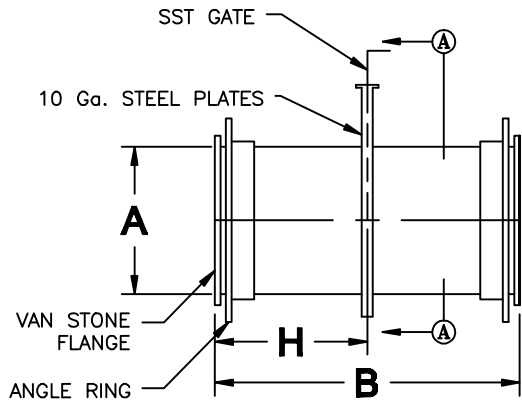
EMAIL: vironinfo@vironintl.com

ENVIRONMENTAL CONTROL SYSTEMS

USER		
REP.		
JOB NO.		
DATE	SHEET	OF
DRAWN BY		

**STANDARD DIAMETERS**

"A" = 3" - 18"



**SECTION A-A**  
BLASTGATE CLOSED

**SECTION A-A**  
BLASTGATE OPEN

**NOTES:**

- 304L  316L SST MATERIAL WITH 2B FINISH.
- 304 SST ANGLE RINGS DRILLED.
- HALAR COATING, INTERIOR ONLY.
- TIG WELDS ONLY.
- FUSION WELDS ON ALL LONGITUDINAL SEAMS.
- "B" MINIMUM LENGTH = 8".

STATIC PRESSURE

-6"WG     -10"WG

OTHER: \_\_\_\_\_

PART NUMBER	DESCRIPTION							GA	QTY	REMARKS
	A	B	H	D	E	F	G			
	3"	9"	4½"	8¾"	5"	8⅛"	19¼"	11		
	4"	9"	4½"	8¾"	5"	8⅛"	19¼"	11		
	6"	9"	4½"	10¾"	6"	10⅛"	23¼"	11		
	8"	9"	4½"	17"	10"	14"	33½"	11		
	10"	9"	4½"	19"	11"	16"	37½"	11		
	12"	9"	4½"	21"	12"	18"	41½"	11		
	14"	9"	4½"	24"	14"	20"	45½"	11		
	16"	9"	4½"	25"	14"	22"	49½"	11		
	18"	9"	4½"	33"	21"	24"	62½"	11		

**SSTEELCOAT**® DAMPER - BLASTGATE HORIZONTAL