

**VIRON**® INTERNATIONAL CORP.

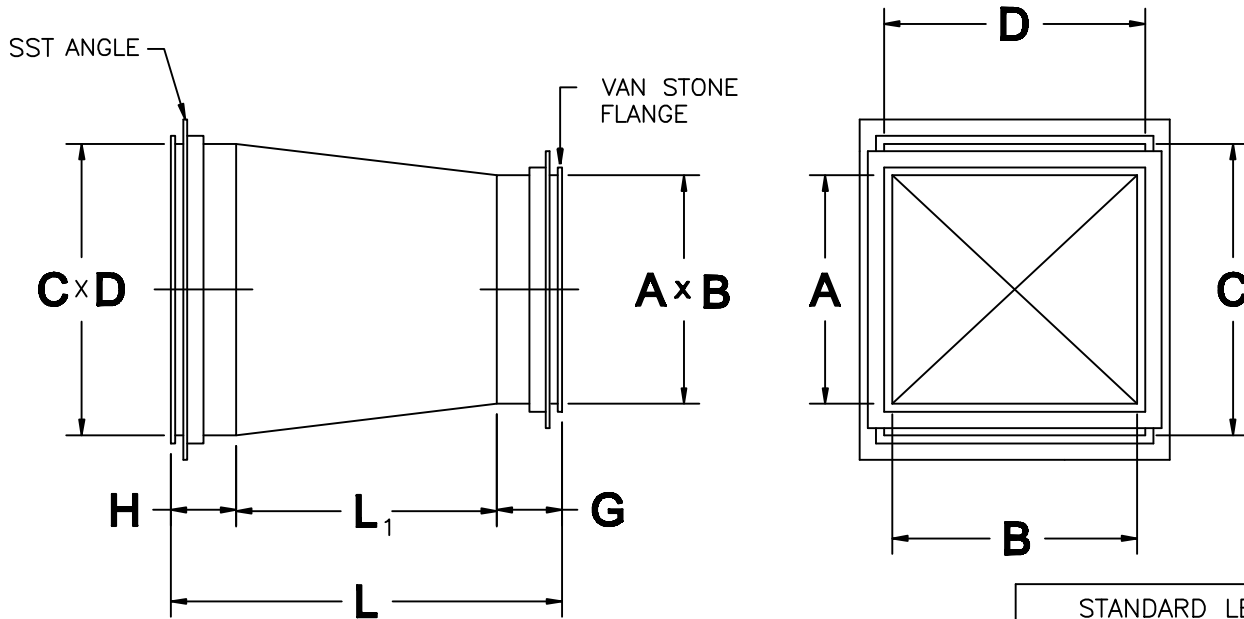
OWOSSO, MICHIGAN      TEMPLE, TEXAS

989-723-8255

989-723-8417 FAX      EMAIL: vironinfo@vironintl.com

ENVIRONMENTAL CONTROL SYSTEMS

USER		
REP.		
JOB NO.		
DATE	SHEET	OF
DRAWN BY		



**NOTES:**

1.  304L  316L SST MATERIAL WITH 2B FINISH.
2. 304 SST ANGLE DRILLED.
3. HALAR COATING, INTERIOR ONLY.
4. TIG WELDS ONLY.
5. FUSION WELDS ON ALL LONGITUDINAL SEAMS.
6. G & H REQUIRE A 3" MINIMUM LENGTH.

STANDARD LENGTHS	
C x D	L
6 & UNDER	12"
8"	14"
10" TO 12"	24"
14" TO 18"	30"

STATIC PRESSURE

-6"WG     -10"WG

OTHER: \_\_\_\_\_

PART NUMBER	DESCRIPTION								GA	QTY
	A	B	C	D	G	H	L	L <sub>1</sub>		

**SSTEELCOAT® RECTANGULAR CONCENTRIC TAPER**