

# VIRON INTERNATIONAL CORP.

OWOSSO, MICHIGAN      TEMPLE, TEXAS

989-723-8255

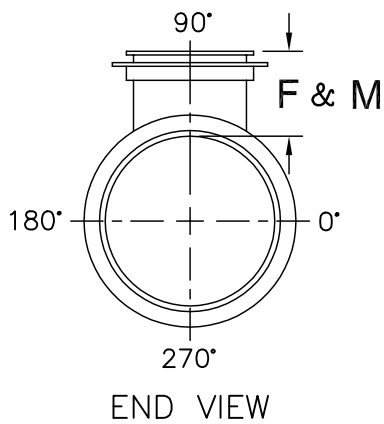
989-723-8417 FAX      EMAIL: vironinfo@vironintl.com

ENVIRONMENTAL CONTROL SYSTEMS

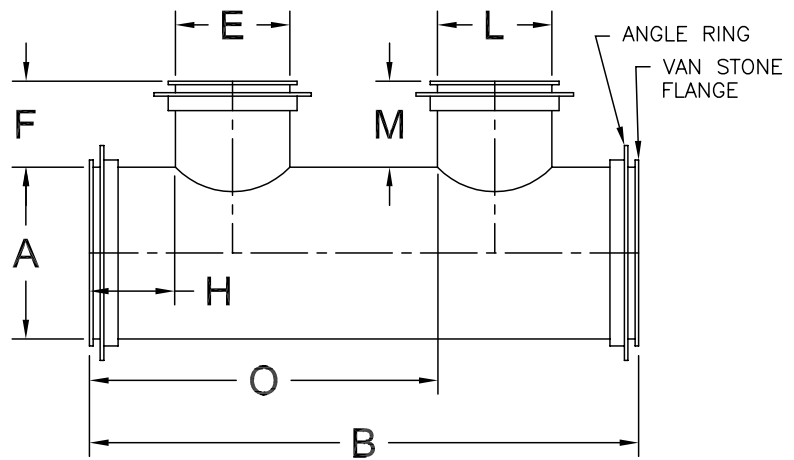
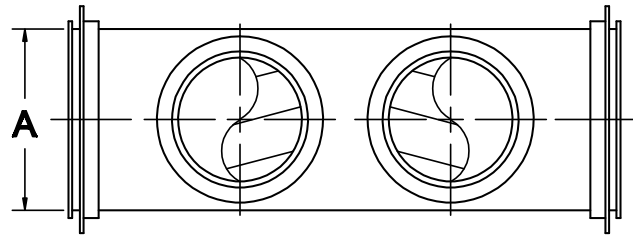
USER	
REP.	
JOB NO.	
DATE	SHEET OF
DRAWN BY	

## STANDARD DIAMETERS & LENGTHS

- 4"Ø = 48" LONG
- 6"Ø - 16"Ø = 47¼" LONG
- 18"Ø - 120"Ø = 47" LONG



PLAN VIEW



ELEVATION VIEW

**NOTES:**

- 304L  316 L SST MATERIAL WITH 2B FINISH.
- 304 SST ANGLE RINGS DRILLED
- HALAR COATING, INTERIOR ONLY.
- TIG WELDS ONLY.
- FUSION WELDS ON ALL LONGITUDINAL SEAMS.
- H REQUIRES A MINIMUM LENGTH OF 3".

STATIC PRESSURE

-6"WG     -10"WG

OTHER: \_\_\_\_\_

PART NUMBER	DESCRIPTION								GA	QTY	REMARKS
	A	B	E	F	H	L	M	O			

# SSTEELCOAT<sup>®</sup> STRAIGHT w/2 STUB FLANGES