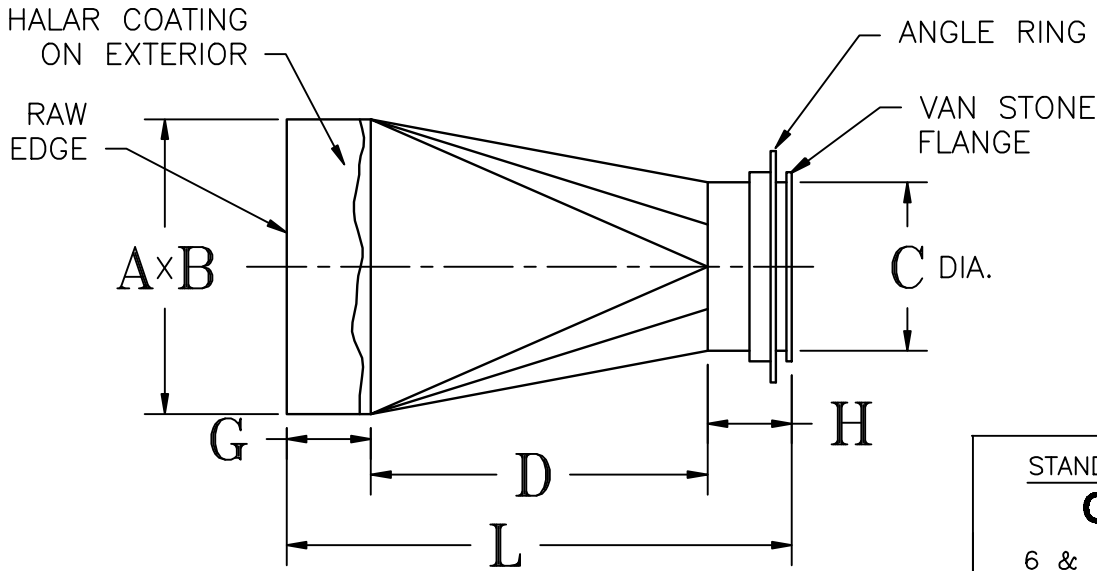


VIRON[®] INTERNATIONAL CORP.

OWOSSO, MICHIGAN TEMPLE, TEXAS
 989-723-8255 EMAIL: vironinfo@vironintl.com
 989-723-8417 FAX
 ENVIRONMENTAL CONTROL SYSTEMS

USER	
REP.	
JOB NO.	
DATE	SHEET OF
DRAWN BY	

STANDARD DIAMETERS
"C" = 4"-120"



STANDARD LENGTHS

C	D
6 & UNDER	12"
8"	14"
10" TO 12"	24"
14" TO 18"	30"

STATIC PRESSURE

-6" WG -10" WG
 OTHER: _____

NOTES:

- 304L 316 L SST MATERIAL WITH 2B FINISH.
- 304 SST ANGLE RINGS DRILLED.
- HALAR COATING, INTERIOR ONLY.
- TIG WELDS ONLY.
- FUSION WELDS ON ALL LONGITUDINAL SEAMS.
- "G" & "H" REQUIRE A 3" MINIMUM LENGTH.

PART NUMBER	DESCRIPTION							GA	QTY	REMARKS
	A	B	C	D	G	H	L			

SSTEELCOAT[®] RAW EDGE SQUARE TO ROUND