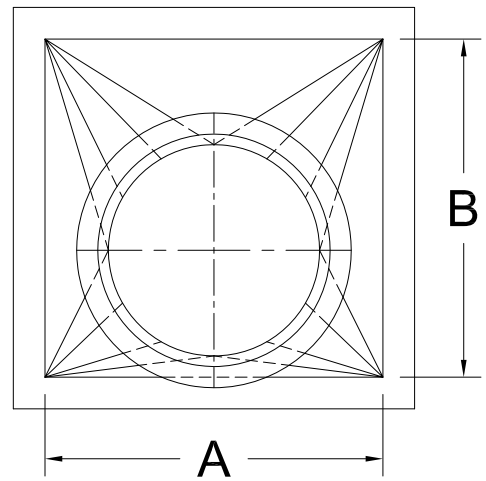
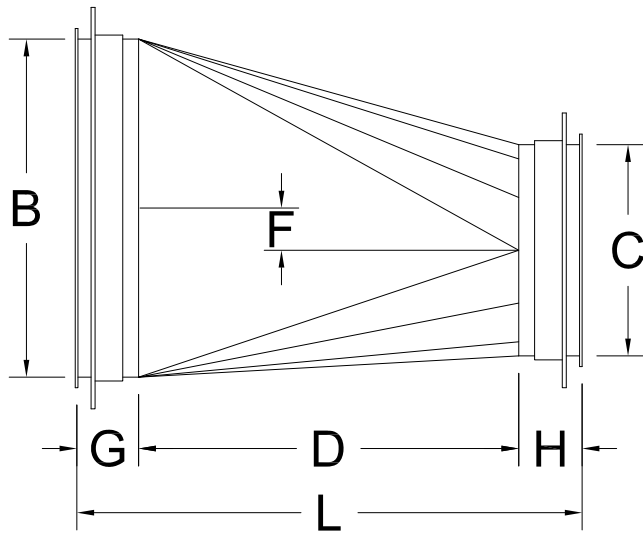
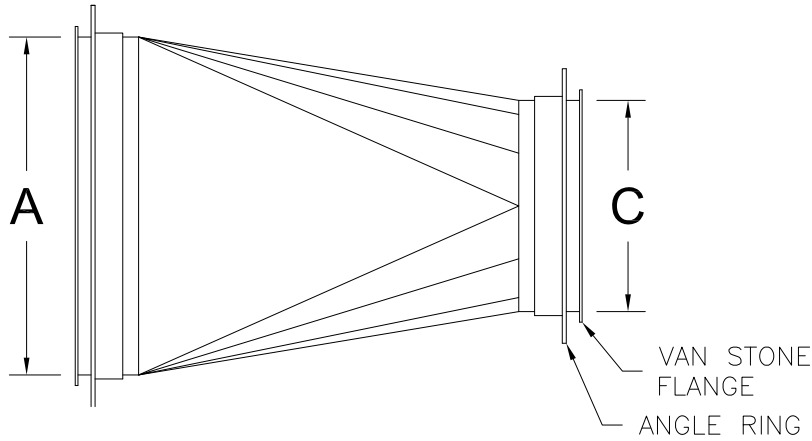


VIRON[®] INTERNATIONAL CORP.

OWOSSO, MICHIGAN TEMPLE, TEXAS
 989-723-8255
 989-723-8417 FAX EMAIL: vironinfo@vironintl.com
 ENVIRONMENTAL CONTROL SYSTEMS

USER	
REP.	
JOB NO.	
DATE	SHEET OF
DRAWN BY	



NOTES:

- 304L 316 L SST MATERIAL WITH 2B FINISH.
- 304 SST DRILLED ANGLE RINGS.
- HALAR COATED INTERIOR ONLY.
- FUSION WELDS ON ALL LONGITUDINAL SEAMS.
- ALL ANGLE RINGS OVER 30"Ø WILL BE STITCH WELDED.

STATIC PRESSURE	
<input type="checkbox"/> -2"WG	<input type="checkbox"/> -4"WG
<input type="checkbox"/> -6"WG	<input type="checkbox"/> -10"WG

PART NO.	DESCRIPTION								GA	QTY	REMARKS
	A	B	C	D	F	G	H	L			

SSTEELCOAT[®] SQUARE TO ROUND