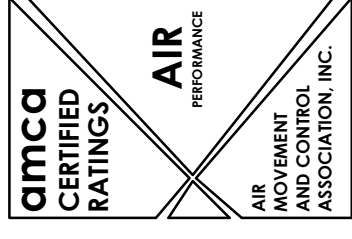


HOUSING THICKNESS

| DAMPER DIA. | MATERIAL GAUGE |
|-------------|----------------|
| ø50" - ø72" | 12 Ga. |

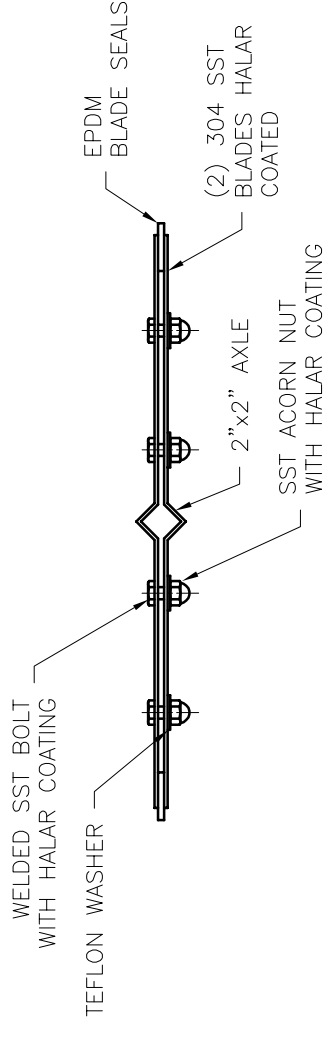
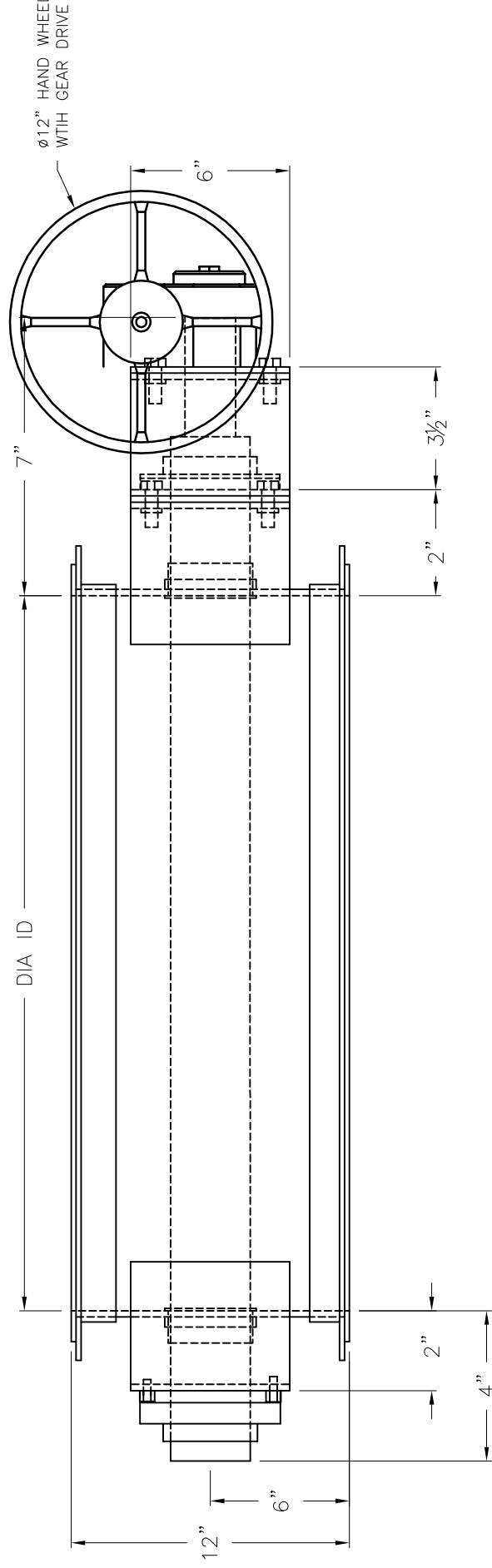
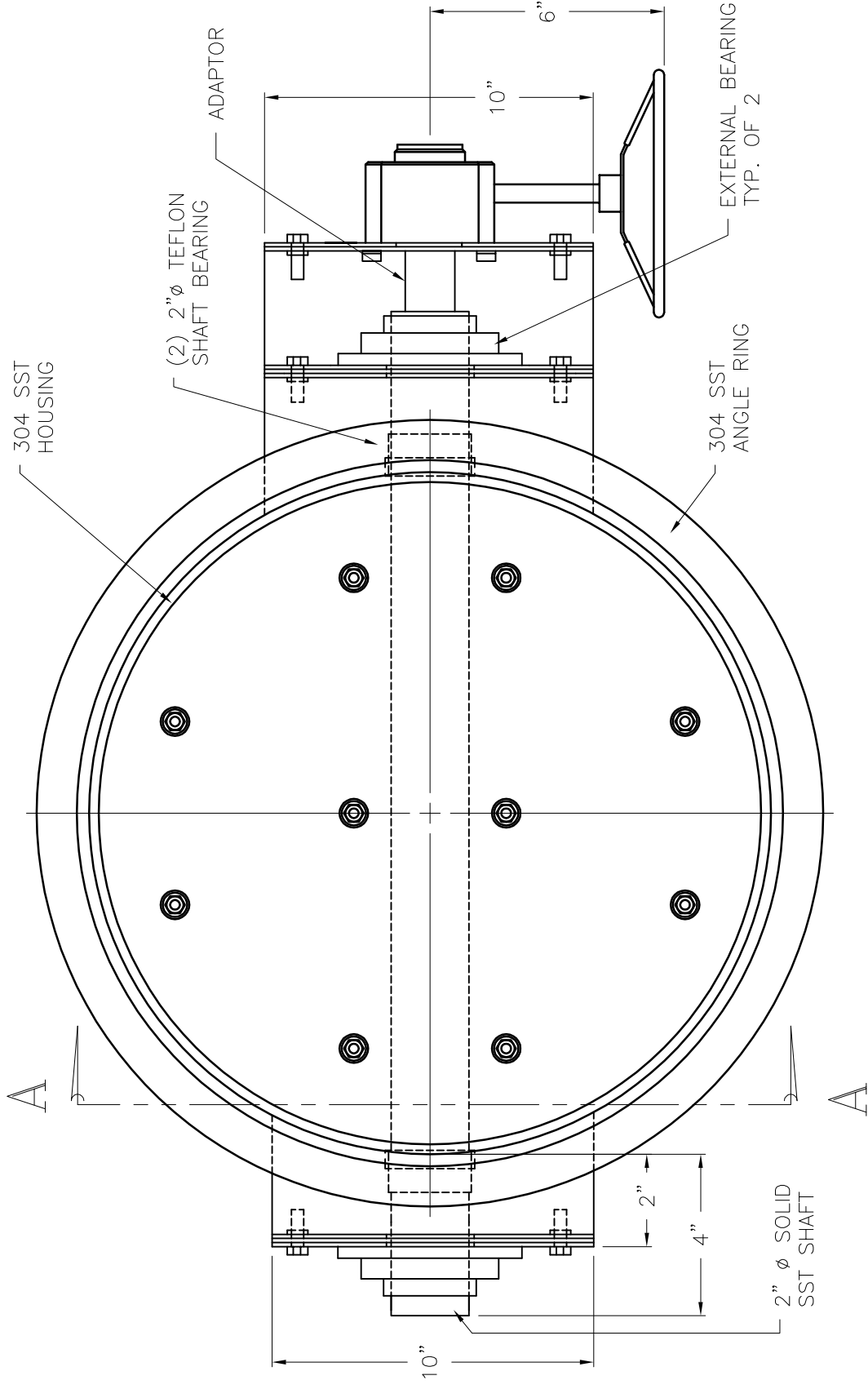
| DAMPER DIA. | MATERIAL GAUGE | AXLE DIA. | SIZE |
|-------------|----------------|-----------|------|
| ø50" - ø72" | 12 Ga. | ø2" | ø2" |

| PART NO. | DAMPER DIA. | QTY. |
|----------|-------------|------|
| | ø50" | |
| | ø52" | |
| | ø54" | |
| | ø56" | |
| | ø58" | |
| | ø60" | |
| | ø62" | |
| | ø64" | |
| | ø66" | |
| | ø68" | |
| | ø70" | |
| | ø72" | |



VERTICAL FLOW

WITH CHAIN WHEEL AND LOCK OUT BY OTHERS



SECTION A-A

STATIC PRESSURE

-6"WG -10"WG

OTHER: _____

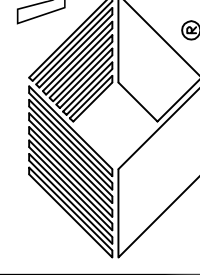
USER _____

REP. _____

JOB NO. _____

DATE _____

DRAWN BY _____ SHEET _____ OF _____



VIRON INTERNATIONAL CORP.
 OWOSSO, MICHIGAN TEMPLE, TEXAS
 989-723-8255
 989-723-8417 FAX EMAIL: vironinfo@vironintl.com
 ENVIRONMENTAL CONTROL SYSTEMS

**50" - 72" DIAMETER 316 SST/HALAR
 LOW LEAKAGE INDUSTRIAL BUTTERFLY
 DAMPER w/ HAND WHEEL**