

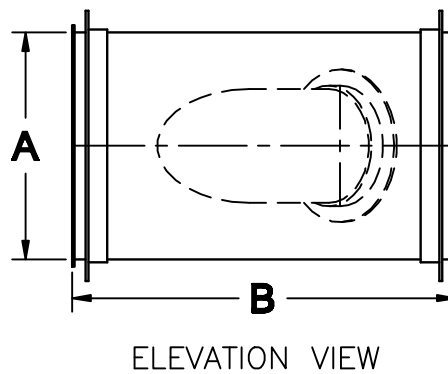
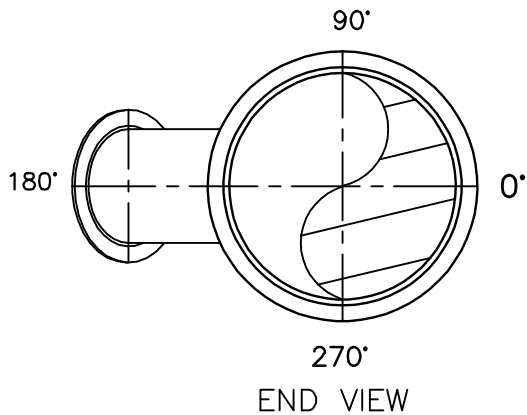
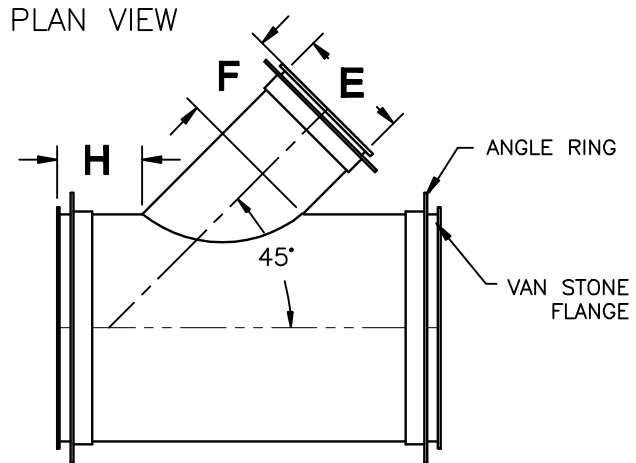
VIRON[®] INTERNATIONAL CORP.

OWOSSO, MICHIGAN TEMPLE, TEXAS
 989-723-8255
 989-723-8417 FAX EMAIL: vironinfo@vironintl.com
 ENVIRONMENTAL CONTROL SYSTEMS

USER	
REP.	
JOB NO.	
DATE	SHEET OF
DRAWN BY	

STANDARD DIAMETERS & LENGTHS

- 4"ø = 48" LONG
- 6"ø - 16"ø = 47¼" LONG
- 18"ø - 120"ø = 47" LONG



NOTES:

1. 304L 316 L SST MATERIAL WITH 2B FINISH.
2. 304 SST ANGLE RINGS DRILLED.
3. HALAR COATING, INTERIOR ONLY.
4. TIG WELDS ONLY.
5. FUSION WELDS ON ALL LONGITUDINAL SEAMS.
6. F & H REQUIRE A 6" MINIMUM LENGTH.

STATIC PRESSURE	
<input type="checkbox"/> -6"WG	<input type="checkbox"/> -10"WG
OTHER: _____	

PART NUMBER	DESCRIPTION						GA	QTY	REMARKS
	A	B	E	"E" TAP ROTATION	F	H			

SSTEELCOAT[®] - 45° WYE