

# VIRON<sup>®</sup> INTERNATIONAL CORP.

OWOSSO, MICHIGAN      TEMPLE, TEXAS

989-723-8255

989-723-8417 FAX

EMAIL: vironinfo@vironintl.com

ENVIRONMENTAL CONTROL SYSTEMS

USER

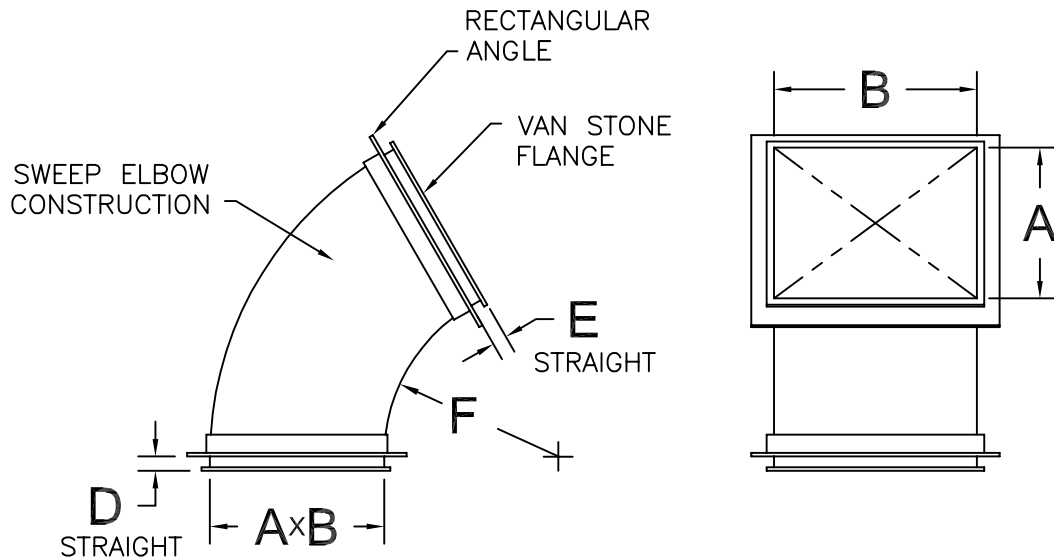
REP.

JOB NO.

DATE

SHEET OF

DRAWN BY



NOTES:

1.  304L  316 L SST MATERIAL WITH 2B FINISH.
2. 304 SST ANGLE DRILLED.
3. HALAR COATING, INTERIOR ONLY.
4. TIG WELDS ONLY.
5. FUSION WELDS ON ALL LONGITUDINAL SEAMS.

STATIC PRESSURE

-6"WG     -10"WG

OTHER: \_\_\_\_\_

PART NUMBER	DESCRIPTION					GA	QTY	
	A	B	D	E	F			

## SST RECTANGULAR 60° ELBOW