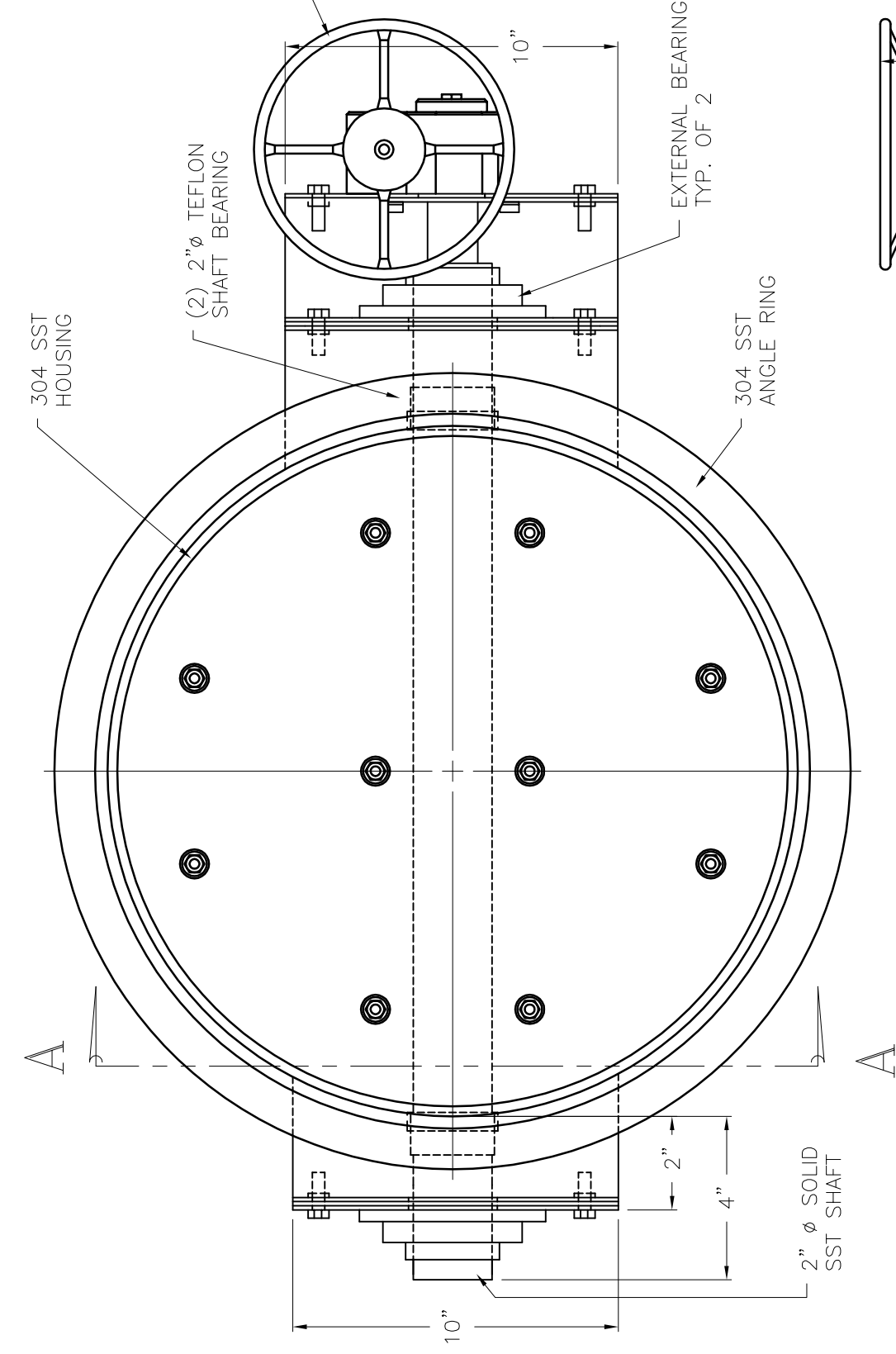


### HOUSING THICKNESS

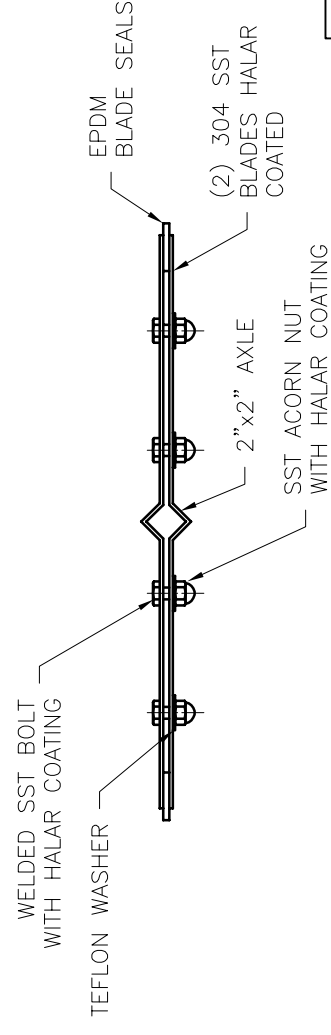
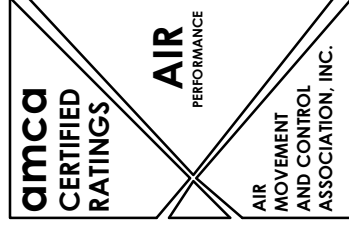
DAMPER DIA.	MATERIAL GAUGE
ø50" - ø72"	12 Ga.

DAMPER DIA.	MATERIAL GAUGE	AXLE DIA.
ø50" - ø72"	12 Ga.	ø2"



### HORIZONTAL FLOW

WITH CHAIN WHEEL AND LOCK OUT BY OTHERS



### SECTION A-A

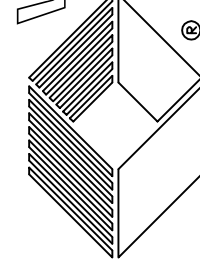
STATIC PRESSURE

-6"WG  -10"WG

OTHER: \_\_\_\_\_

USER	_____
REP.	_____
JOB NO.	_____
DATE	_____
DRAWN BY	_____

**50" - 72" DIAMETER 316 SST/HALAR  
LOW LEAKAGE INDUSTRIAL BUTTERFLY  
DAMPER w/ HAND WHEEL**



**VIRON® INTERNATIONAL CORP.**  
OWOSSO, MICHIGAN TEMPLE, TEXAS  
989-723-8255  
989-723-8417 FAX EMAIL: [vironinfo@vironintl.com](mailto:vironinfo@vironintl.com)  
ENVIRONMENTAL CONTROL SYSTEMS

SHEET	OF
-------	----