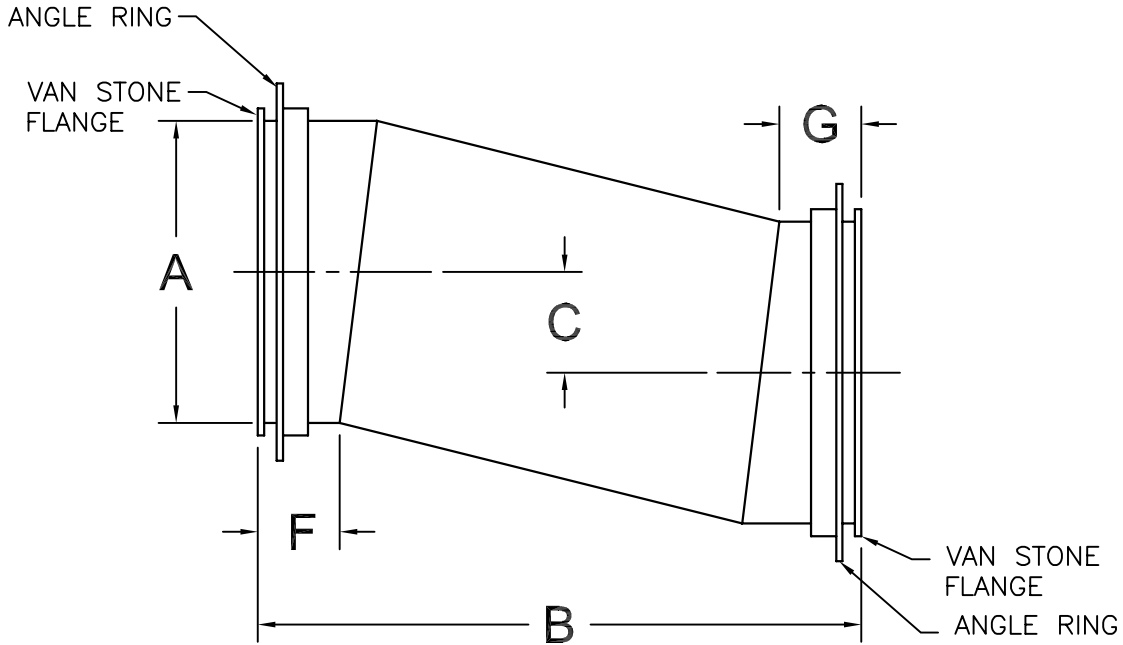


# VIRON<sup>®</sup> INTERNATIONAL CORP.

OWOSSO, MICHIGAN    TEMPLE, TEXAS  
 989-723-8255  
 989-723-8417 FAX    EMAIL: vironinfo@vironintl.com  
 ENVIRONMENTAL CONTROL SYSTEMS

USER	
REP.	
JOB NO.	
DATE	SHEET OF
DRAWN BY	

**STANDARD DIAMETERS**  
**"A" = 4"-120"**



**NOTES:**

- 304L  316 L SST MATERIAL WITH 2B FINISH.
- 304 SST ANGLE RINGS DRILLED
- HALAR COATING, INTERIOR ONLY.
- FUSION WELDS ON ALL LONGITUDINAL SEAMS.
- TIG WELDS ONLY.
- ALL ANGLE RINGS OVER 30" DIA. WILL BE STITCHED WELDED.

STATIC PRESSURE

-6"WG     -10"WG

OTHER: \_\_\_\_\_

PART NUMBER	DESCRIPTION					GA	QTY	REMARKS
	A	B	C	F	G			

## STEELCOAT<sup>®</sup> OFFSET