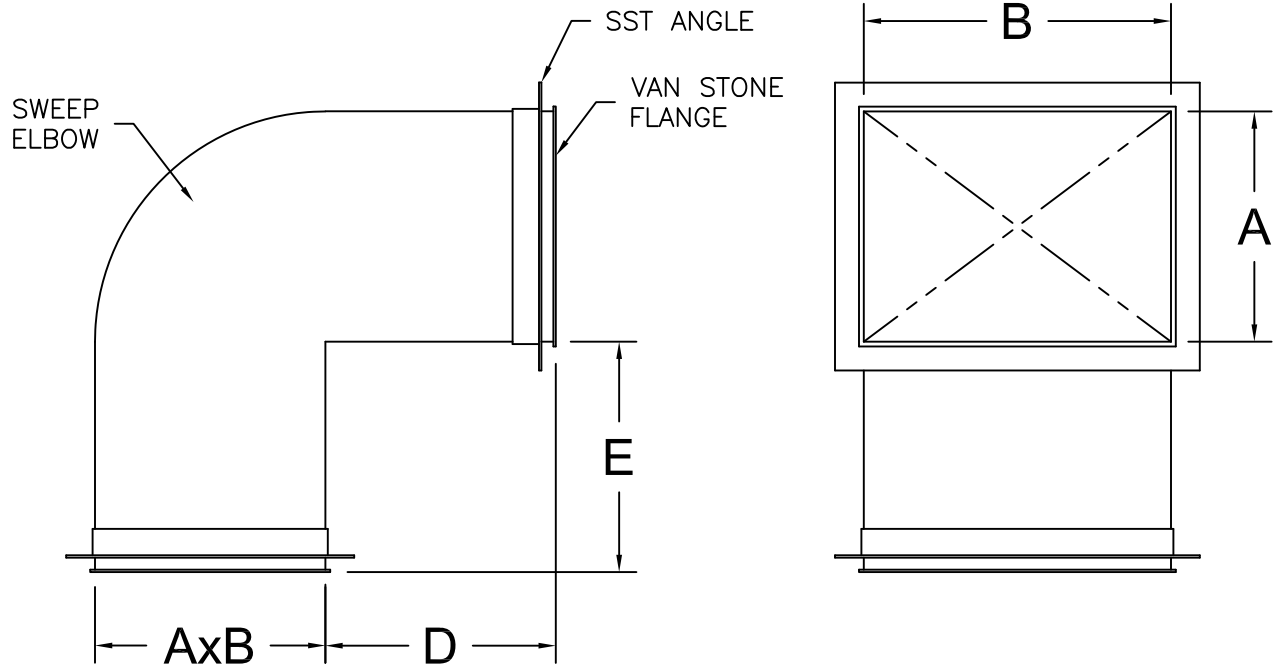


**VIRON**® INTERNATIONAL CORP.

OWOSSO, MICHIGAN      TEMPLE, TEXAS  
 989-723-8255  
 989-723-8417 FAX EMAIL: vironinfo@vironintl.com  
 ENVIRONMENTAL CONTROL SYSTEMS

USER	
REP.	
JOB NO.	
DATE	SHEET OF
DRAWN BY	



**NOTES:**

1.  304L  316L SST MATERIAL WITH 2B FINISH.
2. 304 SST DRILLED ANGLE.
3. HALAR COATED INTERIOR ONLY.
4. FUSION WELDS ON ALL LONGITUDINAL SEAMS.
5. ALL ANGLE RINGS OVER 30"Ø WILL BE STITCH WELDED.

<u>STATIC PRESSURE</u>	
<input type="checkbox"/> -6"WG	<input type="checkbox"/> -10"WG

PART NO.	DESCRIPTION				GA	QTY	REMARKS
	A	B	D	E			

**SSTEELCOAT**® RECTAGULAR ELBOW