

**VIRON**® INTERNATIONAL CORP.

OWOSSO, MICHIGAN      TEMPLE, TEXAS

989-723-8255

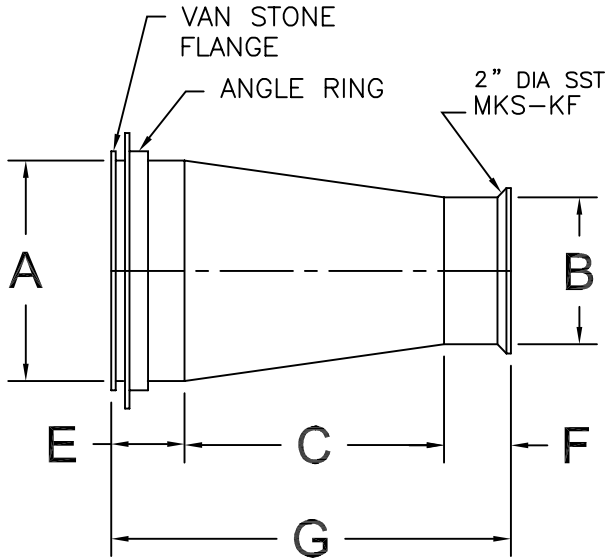
989-723-8417 FAX      EMAIL: info@vironintl.com

ENVIRONMENTAL CONTROL SYSTEMS

USER	
REP.	
JOB NO.	
DATE	SHEET OF
DRAWN BY	

**STANDARD DIAMETERS "A" = 4"-24"**  
**STANDARD DIAMETER "B" = 2"**

OPTIONS  
 \* CUSTOM LENGTHS  
 - CONTACT VIRON



STANDARD LENGTHS	
A - B	C
9 & UNDER	12"
10" TO 14"	14"
16" TO 18"	24"
20" TO 24"	30"

STATIC PRESSURE

-6" WG     -10" WG

OTHER: \_\_\_\_\_

PART NUMBER	DESCRIPTION						GA	QTY	REMARKS
	A	B	C	E	F	G			

**SSTEELCOAT REDUCER - CONCENTRIC**