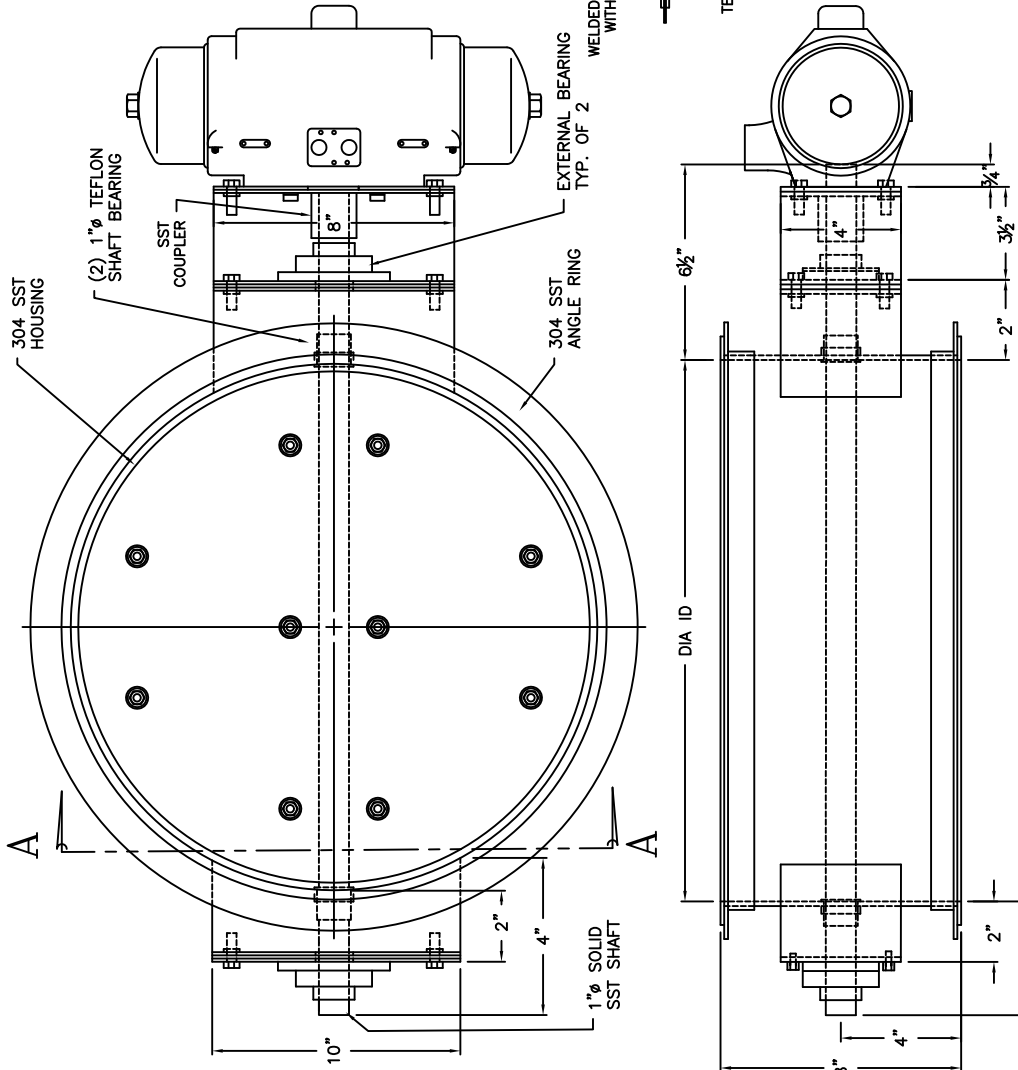


BLADE THICKNESS	AXLE $\phi$
DAMPER DIA. MAT'L Ga.	SIZE
18" - 36" $\phi$ 14 Ga.	1" DIA.
38" - 48" $\phi$ 12 Ga.	1" DIA.

HOUSING THICKNESS	
DAMPER DIA.	MAT'L Ga.
18" - 30" $\phi$	18 Ga.
32" - 36" $\phi$	16 Ga.
38" - 48" $\phi$	14 Ga.



NOTE:  
1. HYORK ACTUATOR (E1A-KL0221-S80-A00)

SECTION A-A

PART NO.	DIA.	QTY.
	18" $\phi$	
	20" $\phi$	
	22" $\phi$	
	24" $\phi$	
	26" $\phi$	
	28" $\phi$	
	30" $\phi$	
	32" $\phi$	
	34" $\phi$	
	36" $\phi$	
	38" $\phi$	
	40" $\phi$	
	42" $\phi$	
	44" $\phi$	
	46" $\phi$	
	48" $\phi$	

STATIC PRESSURE

- 6" WG    - 10" WG

- 30" WG    \_\_\_\_\_

USER \_\_\_\_\_

REP. \_\_\_\_\_

JOB NDL \_\_\_\_\_

DATE \_\_\_\_\_

DRAWN BY \_\_\_\_\_

SHEET \_\_\_\_\_ OF \_\_\_\_\_



**VIIRON** INTERNATIONAL CORP.  
OWOSSO, MICHIGAN    TEMPLE, TEXAS  
989-723-8255  
989-723-8417    FAX EMAIL: [vironinfo@vironintl.com](mailto:vironinfo@vironintl.com)  
ENVIRONMENTAL CONTROL SYSTEMS

**18" - 48" DIAMETER  
304 SST/HALAR INDUSTRIAL  
LOW LEAKAGE BUTTERFLY DAMPER**