

VIRON® INTERNATIONAL CORP.

OWOSSO, MICHIGAN TEMPLE, TEXAS

989-723-8255

989-723-8417 FAX

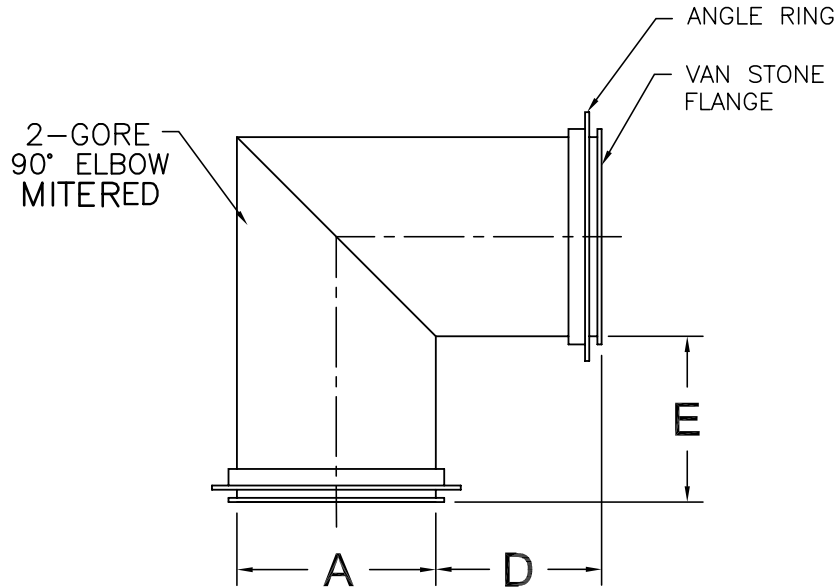
EMAIL: vironinfo@vironintl.com

ENVIRONMENTAL CONTROL SYSTEMS

USER		
REP.		
JOB NO.		
DATE	SHEET	OF
DRAWN BY		

STANDARD DIAMETERS

"A" = 4"-120"



NOTES:

- 304L 316 L SST MATERIAL WITH 2B FINISH.
- 304 SST ANGLE RINGS DRILLED.
- HALAR COATING, INTERIOR ONLY.
- TIG WELDS ONLY.
- FUSION WELDS ON ALL LONGITUDINAL SEAMS.
- STANDARD ELBOWS B=A.

STATIC PRESSURE

-6"WG -10"WG

OTHER: _____

PART NUMBER	DESCRIPTION				GA	QTY	REMARKS
	A	D	E				

SSTEELCOAT® 90° ELBOW (2 gore)