

VIRON® INTERNATIONAL CORP.

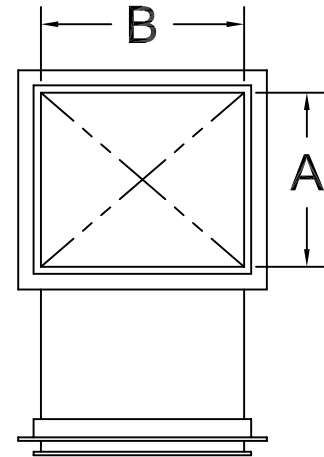
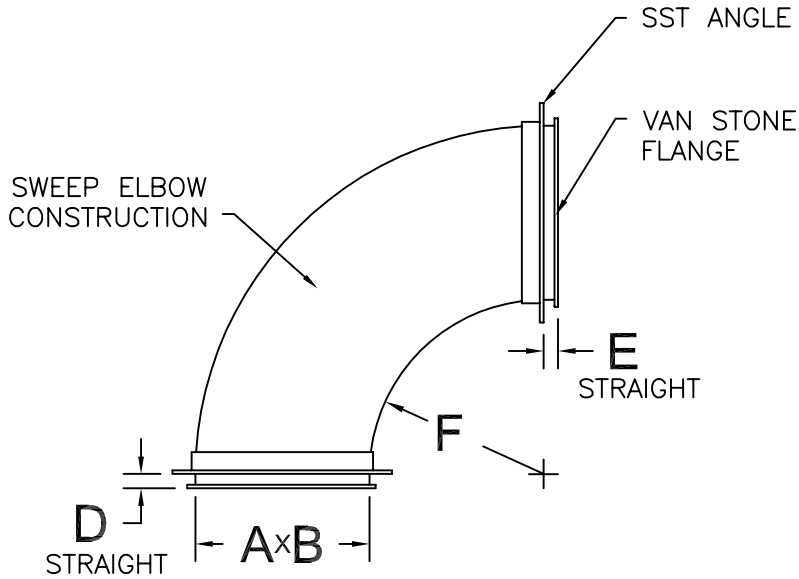
OWOSSO, MICHIGAN TEMPLE, TEXAS

989-723-8255

989-723-8417 FAX EMAIL: vironinfo@vironintl.com

ENVIRONMENTAL CONTROL SYSTEMS

USER	
REP.	
JOB NO.	
DATE	SHEET OF
DRAWN BY	



NOTES:

- 304L 316 L SST MATERIAL WITH 2B FINISH.
- 304 SST ANGLE DRILLED.
- HALAR COATING, INTERIOR ONLY.
- TIG WELDS ONLY.
- FUSION WELDS ON ALL LONGITUDINAL SEAMS.
- STANDARD ELBOWS F=A.

<u>STATIC PRESSURE</u>	
<input type="checkbox"/> -6"WG	<input type="checkbox"/> -10"WG
OTHER: _____	

PART NUMBER	DESCRIPTION					GA	QTY
	A	B	D	E	F		

SSTEELCOAT 90° RECTANGULAR ELBOW