

**VIRON<sup>®</sup> INTERNATIONAL CORP.**

OWOSSO, MICHIGAN      TEMPLE, TEXAS

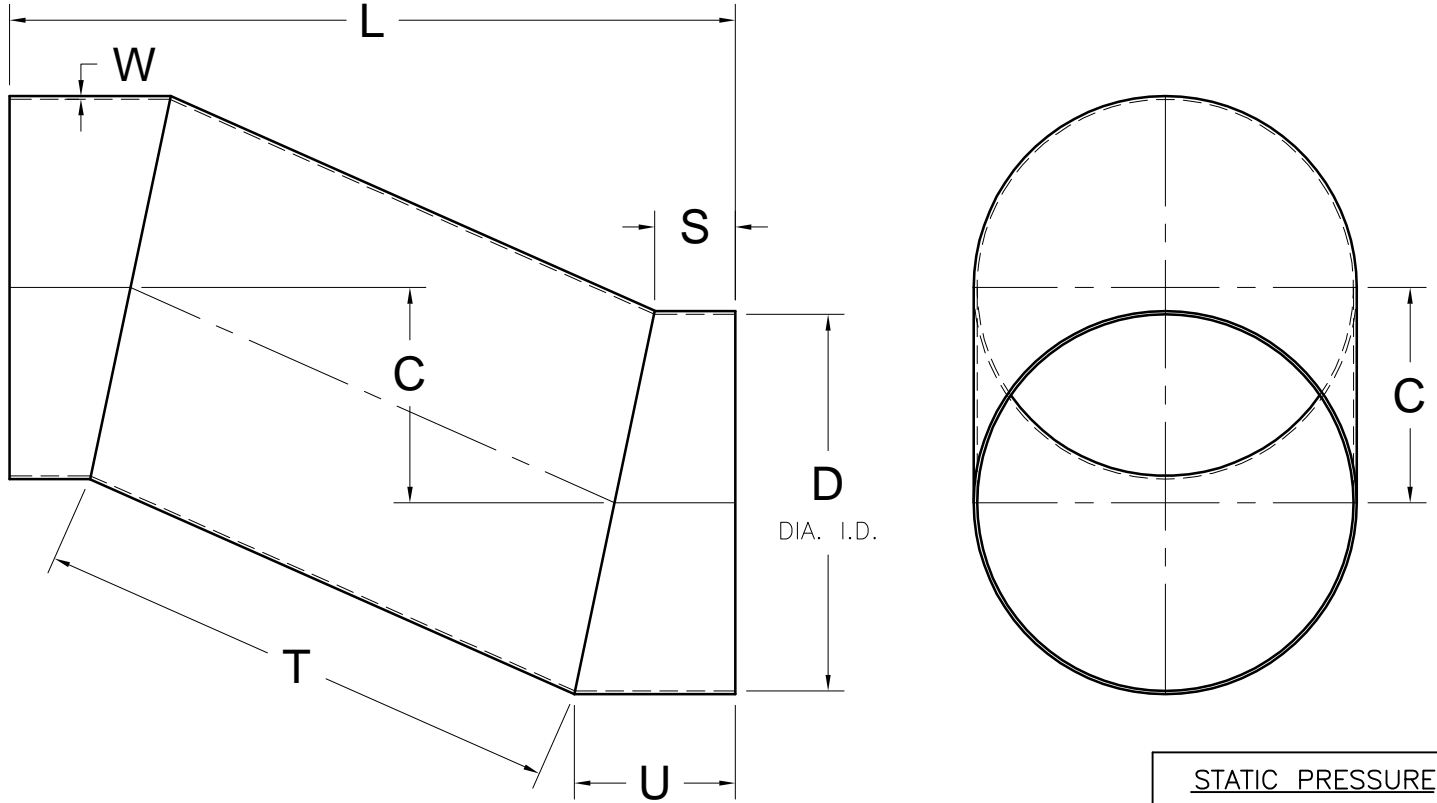
989-723-8255

989-723-8417 FAX    EMAIL: vironinfo@vironintl.com

ENVIRONMENTAL CONTROL SYSTEMS

USER	
REP.	
JOB NO.	
DATE	SHEET OF
DRAWN BY	

**PVC**



STATIC PRESSURE

-2"WG     -4"WG

-6"WG     -10"WG

OTHER: \_\_\_\_\_

PART NO.	DESCRIPTION							TYPE	QTY	REMARKS
	D	C	L	S	U	T	W			

**PVC OFFSET**