

**VIRON**® INTERNATIONAL CORP.

OWOSSO, MICHIGAN      TEMPLE, TEXAS

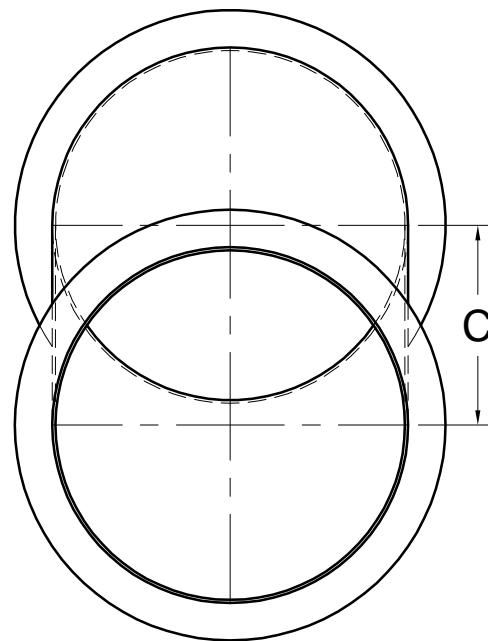
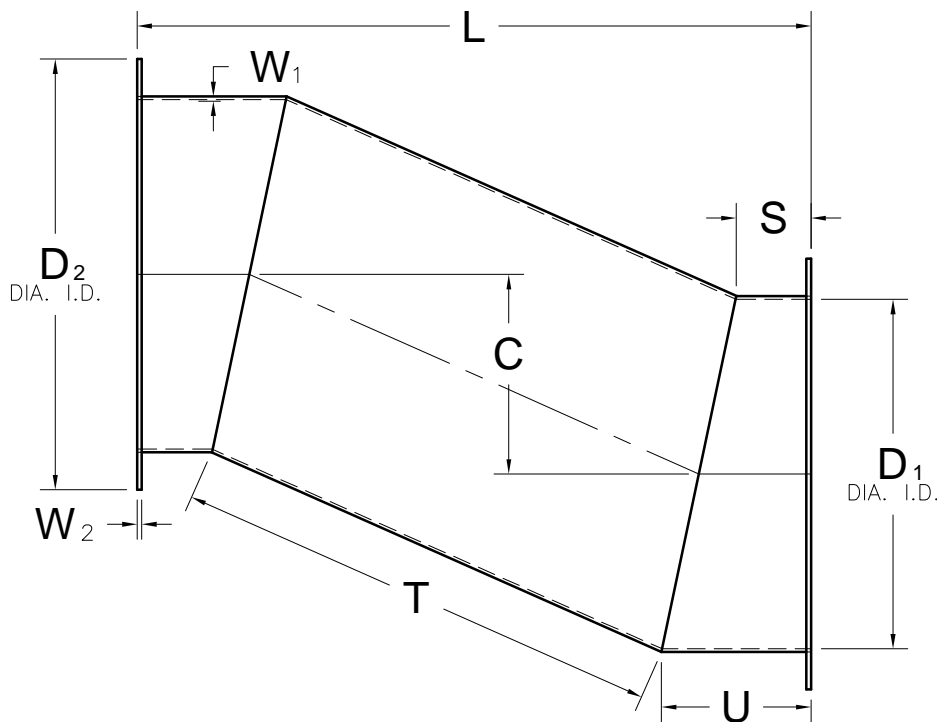
989-723-8255

989-723-8417 FAX    EMAIL: vironinfo@vironintl.com

ENVIRONMENTAL CONTROL SYSTEMS

USER	
REP.	
JOB NO.	
DATE	SHEET OF
DRAWN BY	

# PVC



STATIC PRESSURE

- 2"WG     -4"WG
- 6"WG     -10"WG

OTHER: \_\_\_\_\_

PART NO.	DESCRIPTION									TYPE	QTY	REMARKS
	D <sub>1</sub>	C	L	S	U	T	W <sub>1</sub>	D <sub>2</sub>	W <sub>2</sub>			

**PVC OFFSET + (2) DONUT FLANGES**