

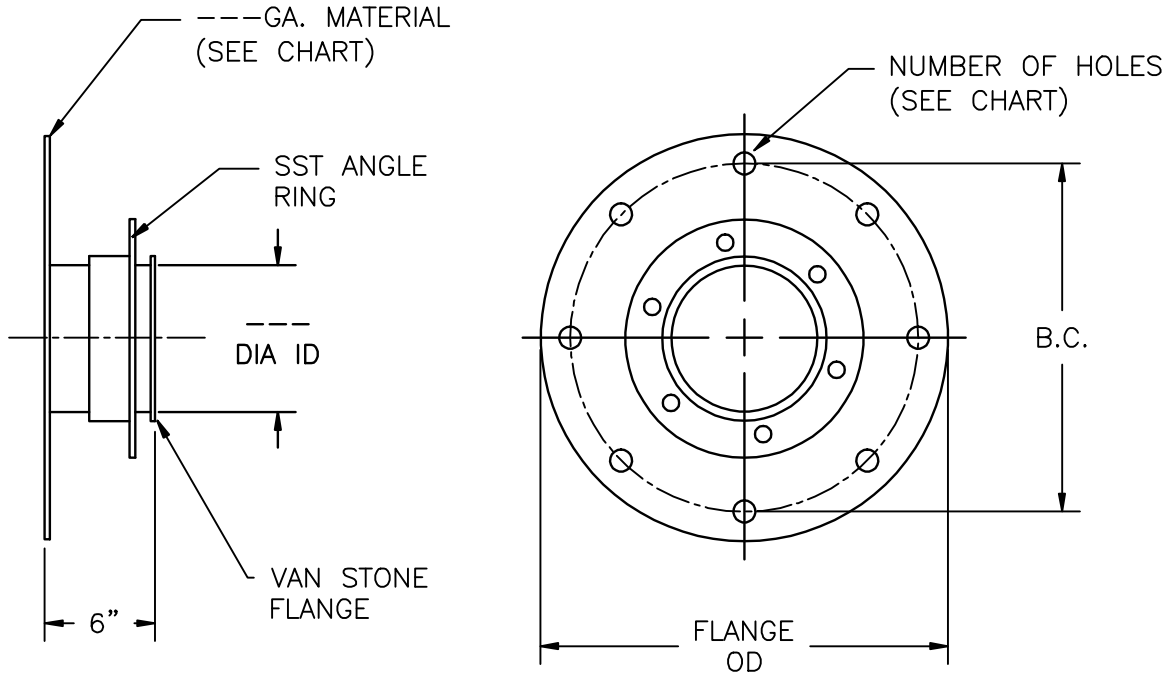
# VIRON<sup>®</sup> INTERNATIONAL CORP.

505 Hintz Road  
 Owosso, MI 48867  
 989-723-8255 • 989-723-8417  
 email: vironinfo@vironintl.com

**ENVIRONMENTAL CONTROL SYSTEMS**

|          |       |    |
|----------|-------|----|
| USER     |       |    |
| REP.     |       |    |
| JOB NO.  |       |    |
| DATE     | SHEET | OF |
| DRAWN BY |       |    |

## SST



**NOTES:**

- 304L  316 L SST MATERIAL WITH 2B FINISH.
- 304 SST ANGLE RINGS DRILLED.
- HALAR COATING, INTERIOR ONLY.
- TIG WELDS ONLY.
- FUSION WELDS ON ALL LONGITUDINAL SEAMS.

STATIC PRESSURE

-6"WG  -10"WG

OTHER: \_\_\_\_\_

| PART NUMBER | DESCRIPTION |           |      |           |            | DUCT STUB FLANGE "A" DIA | GA | QTY | REMARKS |
|-------------|-------------|-----------|------|-----------|------------|--------------------------|----|-----|---------|
|             | DUCT DIA.   | FLANGE OD | B.C. | HOLE SIZE | # OF HOLES |                          |    |     |         |
|             |             |           |      |           |            |                          |    |     |         |
|             |             |           |      |           |            |                          |    |     |         |
|             |             |           |      |           |            |                          |    |     |         |
|             |             |           |      |           |            |                          |    |     |         |
|             |             |           |      |           |            |                          |    |     |         |
|             |             |           |      |           |            |                          |    |     |         |
|             |             |           |      |           |            |                          |    |     |         |
|             |             |           |      |           |            |                          |    |     |         |
|             |             |           |      |           |            |                          |    |     |         |
|             |             |           |      |           |            |                          |    |     |         |
|             |             |           |      |           |            |                          |    |     |         |

## SSTEELCOAT<sup>®</sup> END CAP W/STUB FLANGE