

VIRON® INTERNATIONAL CORP.

505 Hintz Road

Owosso, MI 48867

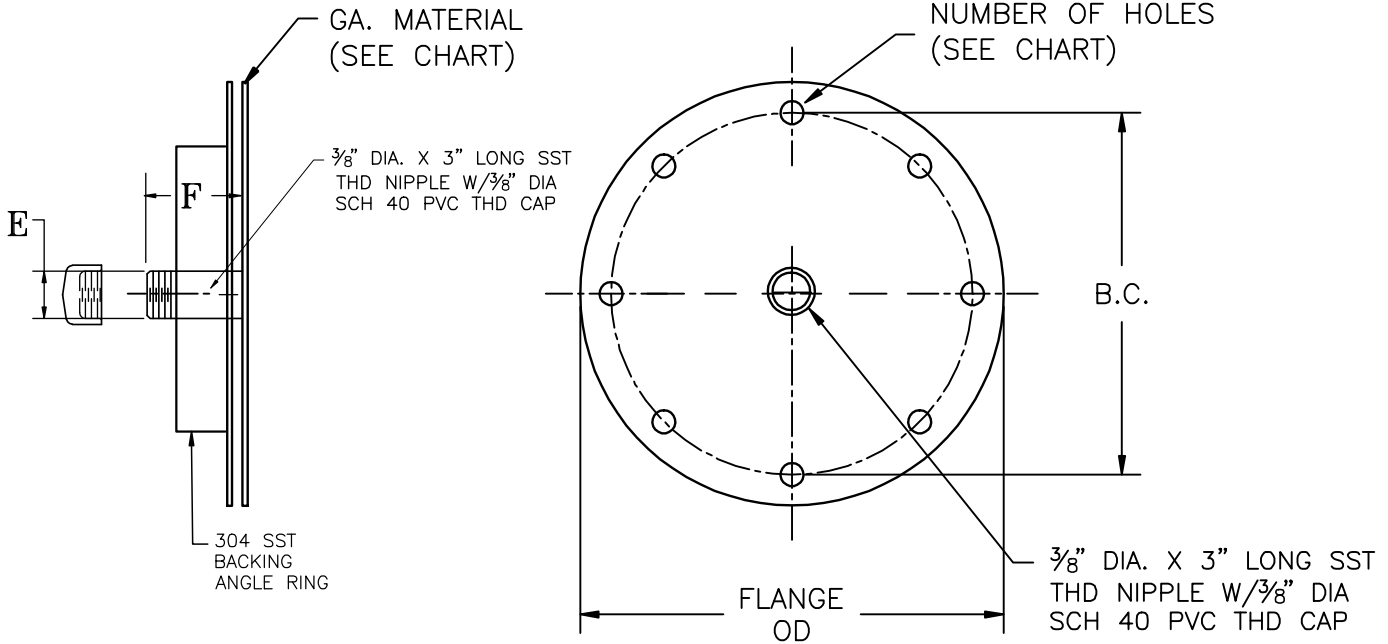
989-723-8255 • 989-723-8417

email: vironinfo@vironintl.com

ENVIRONMENTAL CONTROL SYSTEMS

USER	
REP.	
JOB NO.	
DATE	SHEET OF
DRAWN BY	

SST



NOTES:

- 304L 316 L SST MATERIAL WITH 2B FINISH.
- 304 SST ANGLE RINGS DRILLED.
- HALAR COATING, INTERIOR ONLY.
- TIG WELDS ONLY.
- FUSION WELDS ON ALL LONGITUDINAL SEAMS.

STATIC PRESSURE

- 6" WG - 10" WG

OTHER: _____

PART NUMBER	DESCRIPTION					GA	QTY	REMARKS
	DUCT DIAMETER	FLANGE OD	B.C.	HOLE SIZE	# OF HOLES			

SSTEELCOAT® END CAP w/ANGLE RING & COUPLING