

# VIRON<sup>®</sup> INTERNATIONAL CORP.

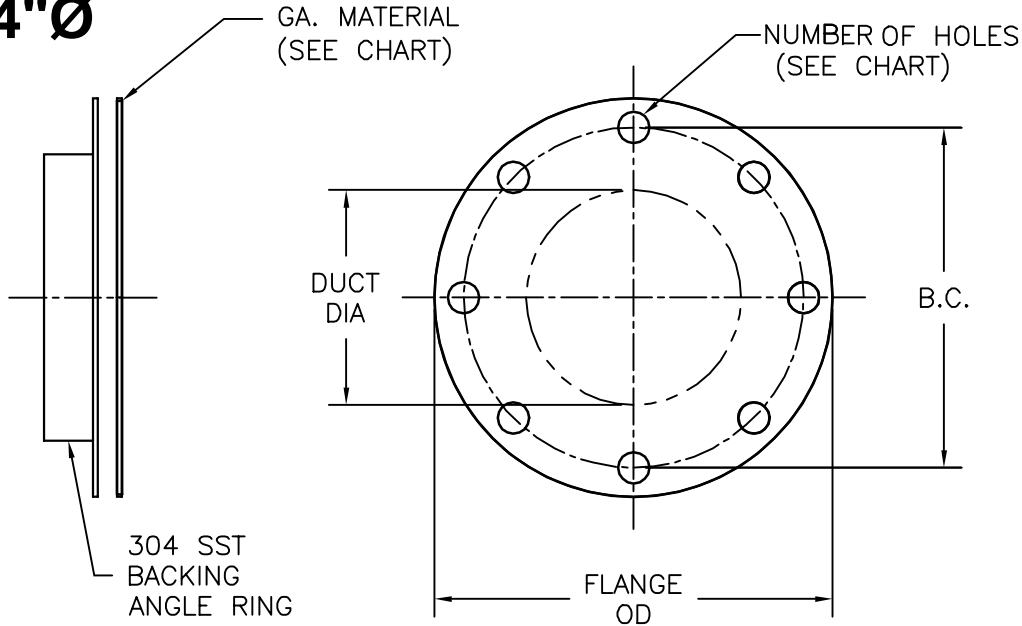
505 Hintz Road  
 Owosso, MI 48867  
 989-723-8255 • 989-723-8417  
 email: vironinfo@vironintl.com

**ENVIRONMENTAL CONTROL SYSTEMS**

USER	
REP.	
JOB NO.	
DATE	SHEET OF
DRAWN BY	

## END CAP 30"Ø-44"Ø

# SST



**NOTES:**

- 304L  316 L SST MATERIAL WITH 2B FINISH.
- 304 SST ANGLE RINGS DRILLED
- HALAR COATING, INTERIOR ONLY.

STATIC PRESSURE

-6"WG     -10"WG

OTHER: \_\_\_\_\_

PART NUMBER	DESCRIPTION					GA	QTY	REMARKS
	DUCT DIA	FLANGE OD	B.C.	HOLE SIZE	# OF HOLES			
	30"	34¼"	32½"	7/16" x 5/8"	28	12		
	32"	36¼"	34½"	7/16" x 5/8"	28	12		
	34"	38¼"	36½"	7/16" x 5/8"	32	12		
	36"	40¼"	38½"	7/16" x 5/8"	32	12		
	38"	42¼"	40½"	7/16" x 5/8"	36	12		
	40"	44¼"	42½"	7/16" x 5/8"	36	12		
	42"	46¼"	44½"	7/16" x 5/8"	40	12		
	44"	48¼"	46½"	7/16" x 5/8"	40	12		

## **SSTEELCOAT<sup>®</sup> END CAP W/SS BACKING A/R**