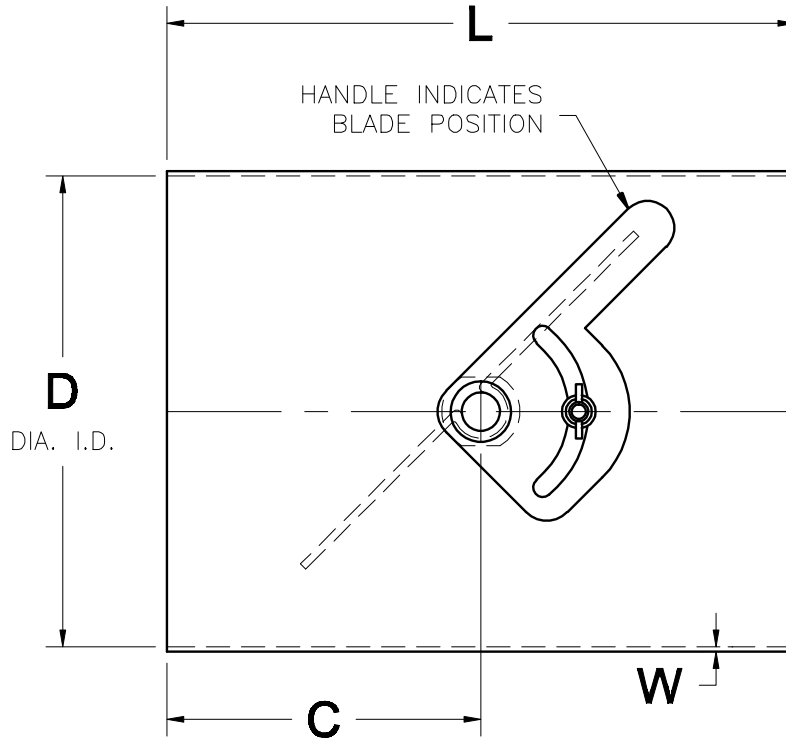


VIRON® INTERNATIONAL CORP.

OWOSSO, MICHIGAN TEMPLE, TEXAS
 989-723-8255
 989-723-8417 FAX EMAIL: vironinfo@vironintl.com
 ENVIRONMENTAL CONTROL SYSTEMS

USER	
REP.	
JOB NO.	
DATE	SHEET OF
DRAWN BY	

FRP



STATIC PRESSURE

-2"WG -4"WG

-6"WG -10"WG

OTHER: _____

PART NO.	DESCRIPTION				QTY	REMARKS
	D	L	C	W		

RESIN: AOC K022-CCC OR EQUAL - 1.5% ANTIMONY TRIOXIDE
 10 MIL INTERIOR C-GLASS VEIL - VIRON GREY GELCOAT

FRP VOLUME DAMPER