

VIRON® INTERNATIONAL CORP.

OWOSSO, MICHIGAN TEMPLE, TEXAS

989-723-8255

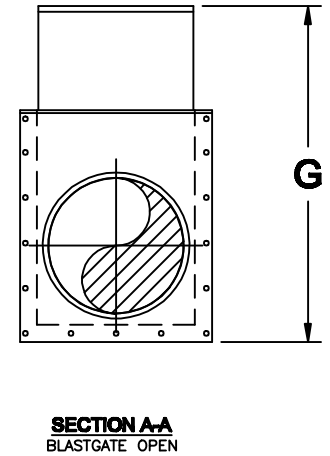
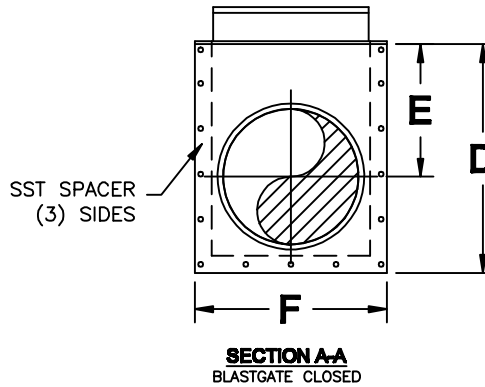
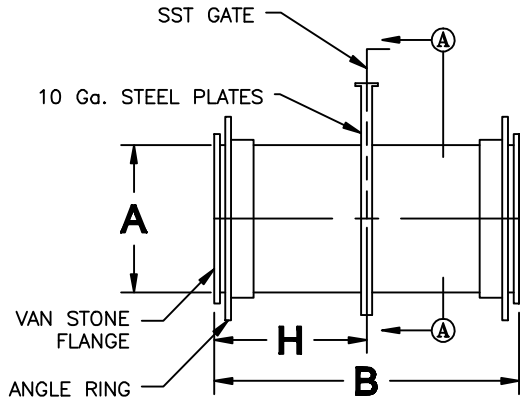
989-723-8417 FAX EMAIL: vironinfo@vironintl.com

ENVIRONMENTAL CONTROL SYSTEMS

USER		
REP.		
JOB NO.		
DATE	SHEET	OF
DRAWN BY		

STANDARD DIAMETERS

"A" = 20" - 34"



NOTES:

1. 304L 316L SST MATERIAL WITH 2B FINISH.
2. 304 SST ANGLE RINGS DRILLED.
3. HALAR COATING, INTERIOR ONLY.
4. TIG WELDS ONLY.
5. FUSION WELDS ON ALL LONGITUDINAL SEAMS.
6. "B" MINIMUM LENGTH = 8".

STATIC PRESSURE

-6"WG -10"WG

OTHER: _____

PART NUMBER	DESCRIPTION							GA	QTY	REMARKS
	A	B	H	D	E	F	G			
	20"	9"	4½"	35"	22"	26"	66½"	11		
	22"	9"	4½"	37"	23"	28"	70½"	11		
	24"	9"	4½"	39"	24"	30"	74½"	11		
	26"	9"	4½"	41"	25"	32"	78½"	11		
	28"	9"	4½"	43"	26"	34"	82½"	11		
	30"	9"	4½"	45"	27"	36"	86½"	11		
	32"	9"	4½"	47"	28"	38"	90½"	11		
	34"	9"	4½"	49"	29"	40"	94 ½"	11		

SSTEELCOAT® DAMPER - BLASTGATE HORIZONTAL