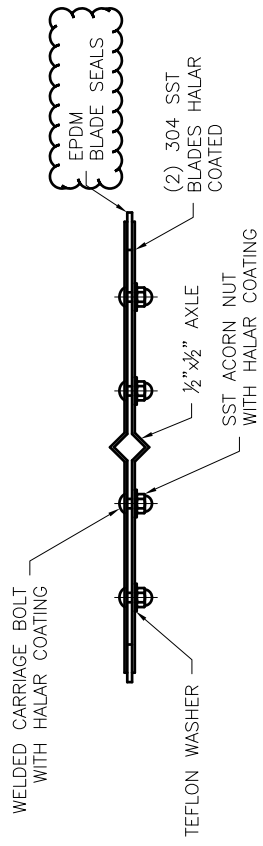
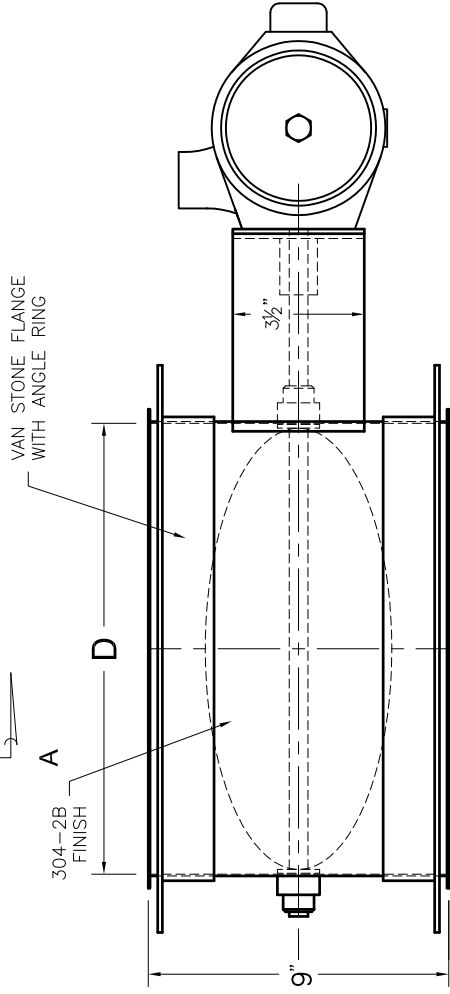
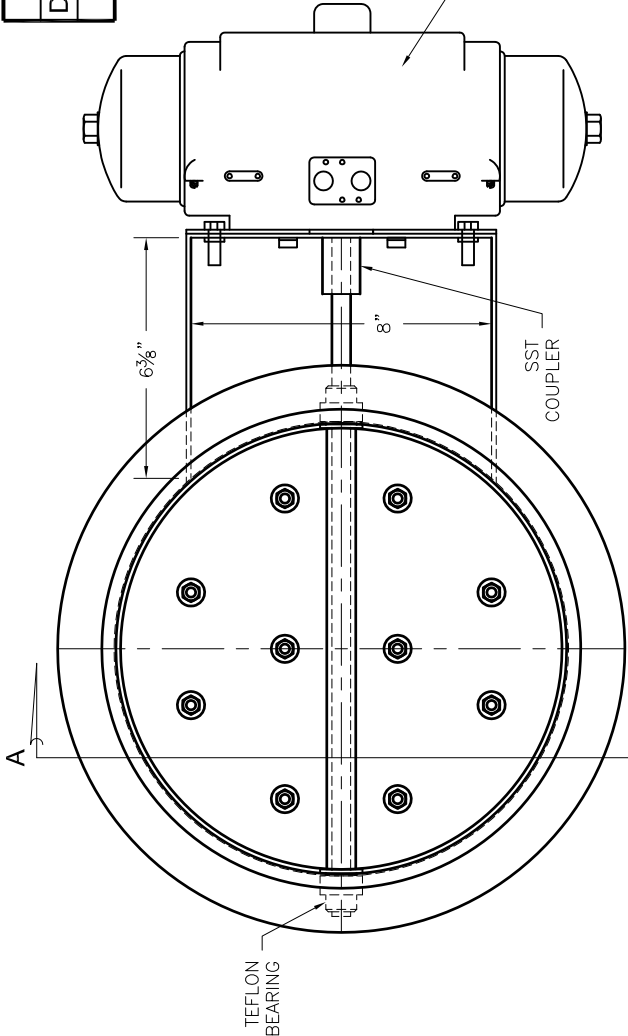


BLADE & AXLE		
DAMPER Ø	GAGE	AXLE Ø
4" - 16"	16	1/2"

HOUSING GA	
DAMPER Ø	GAGE
4" - 16"	18

PART NO.	DAMPER Ø	QTY.
	4"	
	6"	
	8"	
	10"	
	12"	
	14"	
	16"	



SECTION A-A

4" Ø - 16" Ø 304 SST / HALAR LOW LEAKAGE BUTTERFLY DAMPER WITH ACTUATOR

STATIC PRESSURE

- 6" WG - 10" WG

- 30" WG _____

VIRON® INTERNATIONAL CORP.
 OWOSSO, MICHIGAN TEMPLE, TEXAS
 989-723-8255
 989-723-8417 FAX EMAIL: vironinfo@vironintl.com
 ENVIRONMENTAL CONTROL SYSTEMS

USER _____

REP. _____

JOB NO. _____

DATE _____ SHEET _____ OF _____

DRAWN BY _____