

# VIRON<sup>®</sup> INTERNATIONAL CORP.

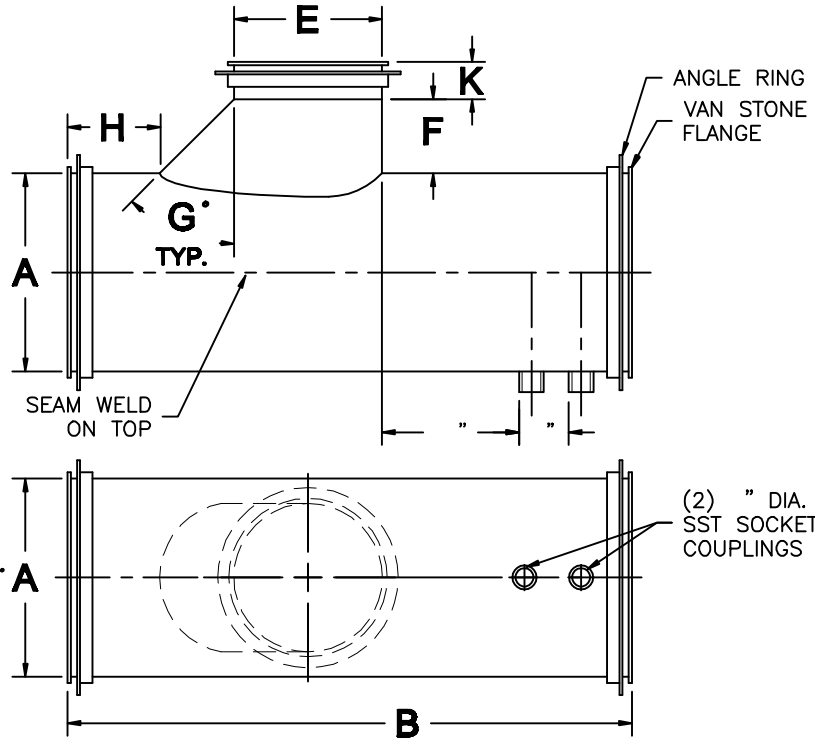
OWOSSO, MICHIGAN    TEMPLE, TEXAS  
 989-723-8255  
 989-723-8417 FAX    EMAIL: vironinfo@vironintl.com  
 ENVIRONMENTAL CONTROL SYSTEMS

USER	
REP.	
JOB NO.	
DATE	SHEET OF
DRAWN BY	

## STANDARD DIAMETERS & LENGTHS

- 4"ø = 48" LONG
- 6"ø - 16"ø = 47¼" LONG
- 18"ø - 120"ø = 47" LONG

### PLAN VIEW



### END VIEW

### ELEVATION VIEW

#### NOTES:

- 304L  316 L SST MATERIAL WITH 2B FINISH.
- 304 SST ANGLE RINGS DRILLED.
- HALAR COATING, INTERIOR ONLY.
- TIG WELDS ONLY.
- FUSION WELDS ON ALL LONGITUDINAL SEAMS.
- F REQUIRES A 6" MINIMUM LENGTH.
- H REQUIRES A MINIMUM LENGTH OF 6".

#### STATIC PRESSURE

-6"WG     -10"WG

OTHER: \_\_\_\_\_

PART NUMBER	DESCRIPTION							GA	QTY
	A	B	E	F	G	H	K		

# SSTEELCOAT<sup>®</sup> 90° BOOT TEE & COUPLINGS