

VIRON® INTERNATIONAL CORP.

OWOSSO, MICHIGAN TEMPLE, TEXAS

989-723-8255

989-723-8417 FAX EMAIL: vironinfo@vironintl.com

ENVIRONMENTAL CONTROL SYSTEMS

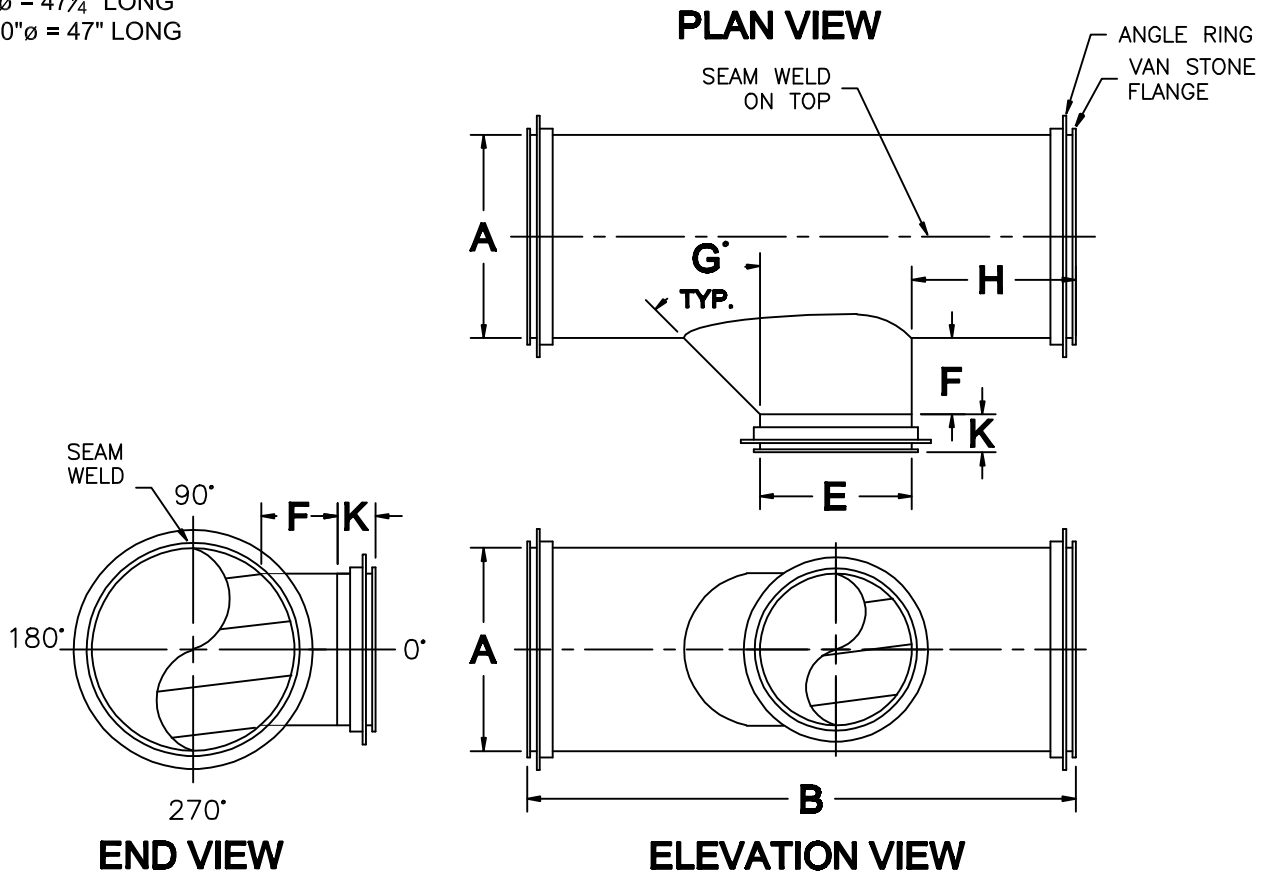
USER		
REP.		
JOB NO.		
DATE	SHEET	OF
DRAWN BY		

STANDARD DIAMETERS & LENGTHS

4"Ø = 48" LONG

6"Ø - 16"Ø = 47¼" LONG

18"Ø - 120"Ø = 47" LONG



NOTES:

- 304L 316 L SST MATERIAL WITH 2B FINISH.
- 304 SST ANGLE RINGS DRILLED.
- HALAR COATING, INTERIOR ONLY.
- TIG WELDS ONLY.
- FUSION WELDS ON ALL LONGITUDINAL SEAMS.
- F REQUIRES A 6" MINIMUM LENGTH.
- H REQUIRES A MINIMUM LENGTH OF 6".

STATIC PRESSURE

-6"WG -10"WG

OTHER: _____

PART NUMBER	DESCRIPTION							GA	QTY
	A	B	E	F	G	H	K		

SSTEELCOAT® BOOT TEE AT 0°