

VIRON® INTERNATIONAL CORP.

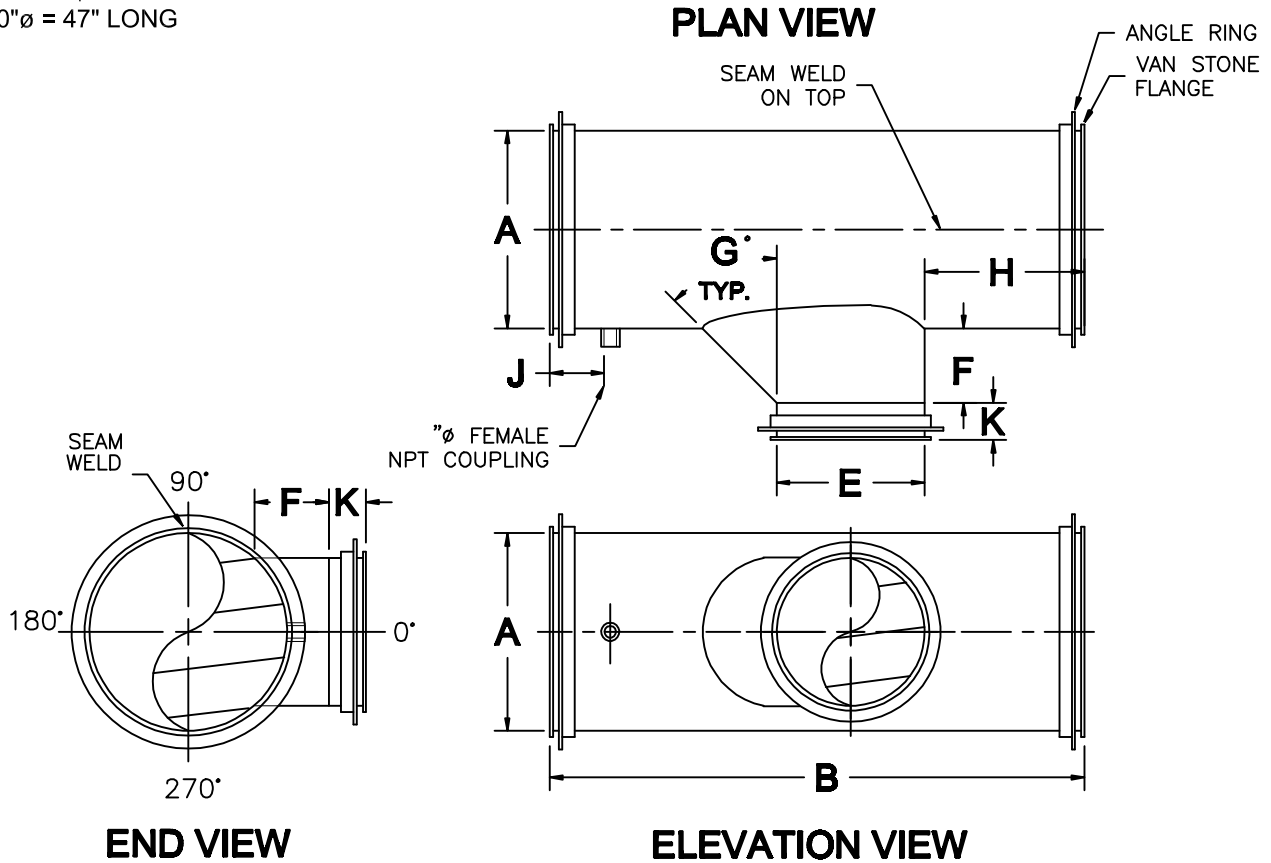
OWOSSO, MICHIGAN TEMPLE, TEXAS
989-723-8255

989-723-8417 FAX EMAIL: vironinfo@vironintl.com
ENVIRONMENTAL CONTROL SYSTEMS

USER	
REP.	
JOB NO.	
DATE	SHEET OF
DRAWN BY	

STANDARD DIAMETERS & LENGTHS

- 4"ø = 48" LONG
- 6"ø - 16"ø = 47¼" LONG
- 18"ø - 120"ø = 47" LONG



NOTES:

1. 304L 316 L SST MATERIAL WITH 2B FINISH.
2. 304 SST ANGLE RINGS DRILLED.
3. HALAR COATING, INTERIOR ONLY.
4. TIG WELDS ONLY.
5. FUSION WELDS ON ALL LONGITUDINAL SEAMS.
6. F REQUIRES A 6" MINIMUM LENGTH.
7. H REQUIRES A MINIMUM LENGTH OF 6".

STATIC PRESSURE

- 6"WG -10"WG

OTHER: _____

PART NUMBER	DESCRIPTION								GA	QTY
	A	B	E	F	G	H	J	K		

SSTEELCOAT® 90° BOOT TEE W/ COUPLING