

VIRON[®] INTERNATIONAL CORP.

OWOSSO, MICHIGAN TEMPLE, TEXAS
989-723-8255

989-723-8417 FAX EMAIL: vironinfo@vironintl.com

ENVIRONMENTAL CONTROL SYSTEMS

USER	
REP.	
JOB NO.	
DATE	SHEET OF
DRAWN BY	

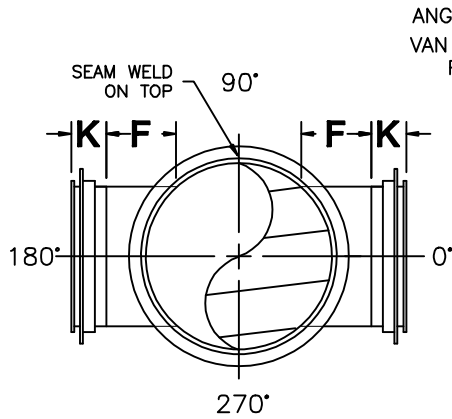
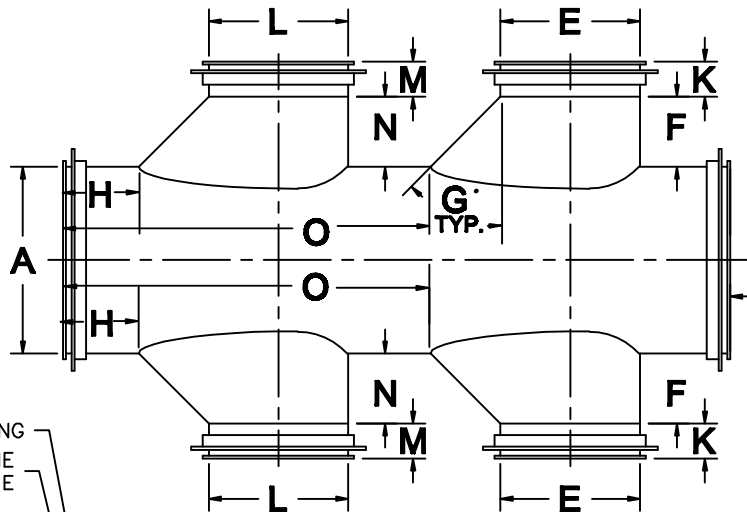
STANDARD DIAMETERS & LENGTHS

4"Ø = 48" LONG

6"Ø - 16"Ø = 47¼" LONG

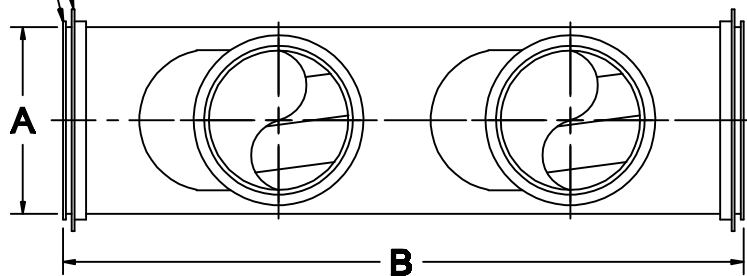
18"Ø - 120"Ø = 47" LONG

PLAN VIEW



END VIEW

ANGLE RING
VAN STONE
FLANGE



ELEVATION VIEW

NOTES:

- 304L 316 L SST MATERIAL WITH 2B FINISH.
- 304 SST ANGLE RINGS DRILLED.
- HALAR COATING, INTERIOR ONLY.
- TIG WELDS ONLY.
- FUSION WELDS ON ALL LONGITUDINAL SEAMS.
- F REQUIRES A 6" MINIMUM LENGTH.
- H REQUIRES A MINIMUM LENGTH OF 6".

STATIC PRESSURE

-6"WG -10"WG

OTHER: _____

PART NUMBER	DESCRIPTION										GA	QTY		
	A	B	E	F	G	H	K	L	M	N			O	

SSTEELCOAT[®] 90° BOOT TEE