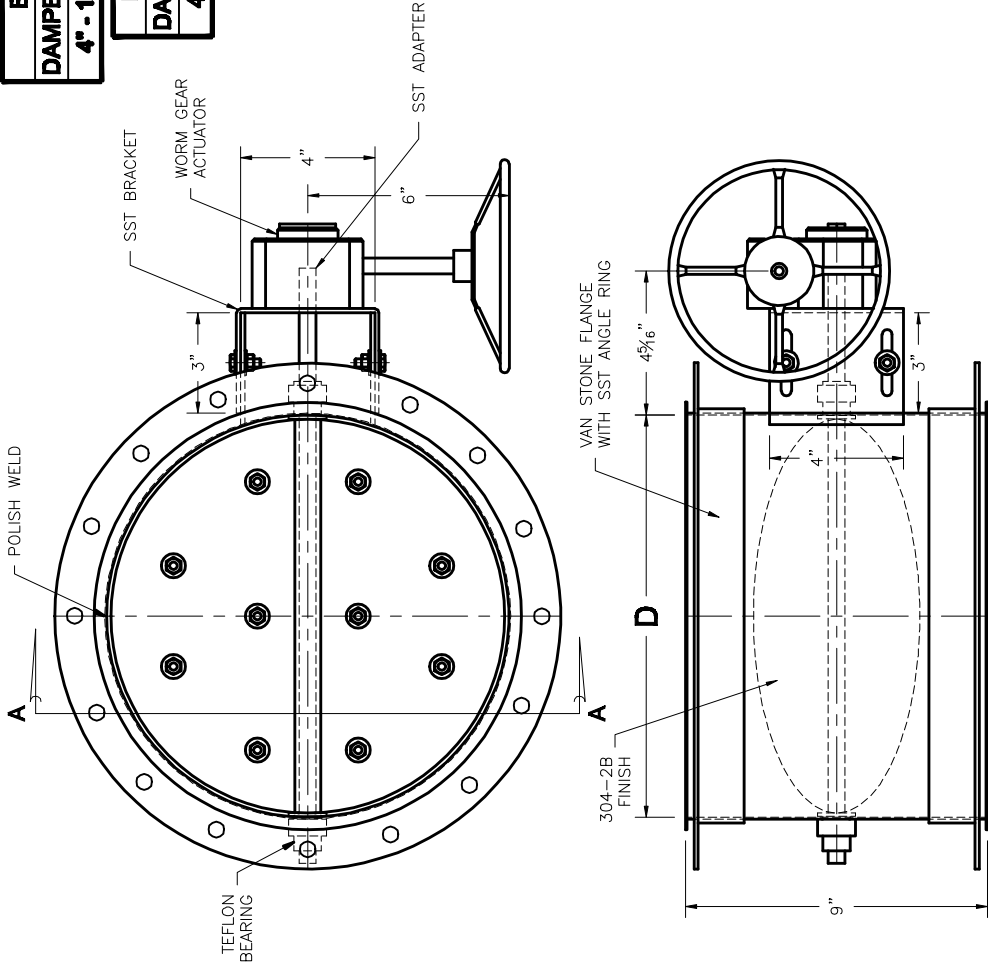


BLADE & AXLE		
DAMPER Ø	GAGE	AXLE Ø
4" - 16"	16	1/2"

HOUSING GA		
DAMPER Ø	GAGE	18
4" - 16"	18	

PART NO.	DAMPER Ø	QTY.
	4"	
	6"	
	8"	
	10"	
	12"	
	14"	
	16"	



4" Ø - 16" Ø 304 SST / HALAR LOW LEAKAGE BUTTERFLY DAMPER WITH HAND WHEEL

STATIC PRESSURE

-6" WG -10" WG

-30" WG _____

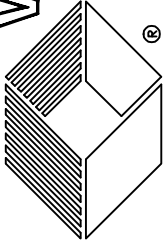
USER _____

REP. _____

JOB NO. _____

DATE _____ SHEET _____ OF _____

DRAWN BY _____



VIRON® INTERNATIONAL CORP.

OWOSSO, MICHIGAN TEMPLE, TEXAS

989-723-8255

989-723-8417 FAX EMAIL: vironinfo@vironintl.com

ENVIRONMENTAL CONTROL SYSTEMS