

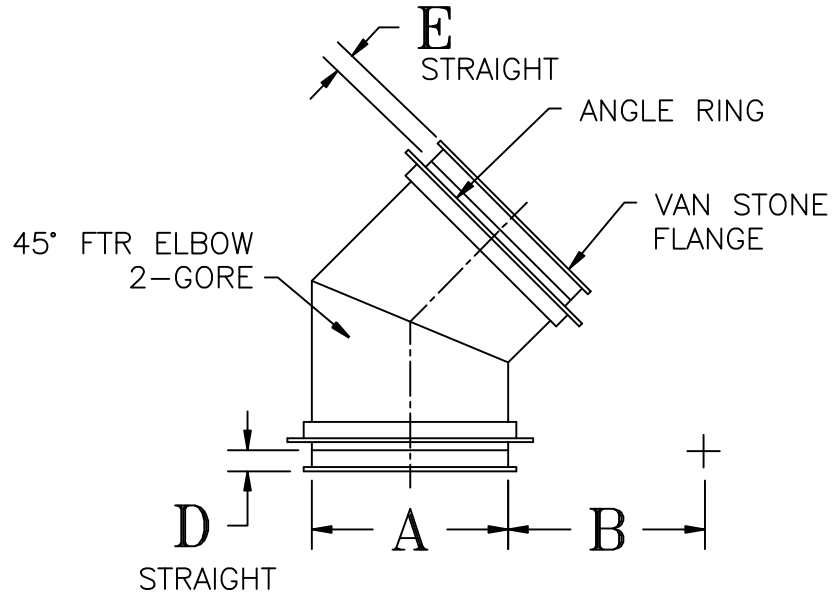
VIRON[®] INTERNATIONAL CORP.

OWOSSO, MICHIGAN TEMPLE, TEXAS
 989-723-8255
 989-723-8417 FAX EMAIL: vironinfo@vironintl.com
 ENVIRONMENTAL CONTROL SYSTEMS

USER	
REP.	
JOB NO.	
DATE	SHEET OF
DRAWN BY	

STANDARD DIAMETERS

"A" = 4"-120"



- NOTES:
- 304L 316 L SST MATERIAL WITH 2B FINISH.
 - 304 SST ANGLE RINGS DRILLED
 - HALAR COATING, INTERIOR ONLY.
 - TIG WELDS ONLY.
 - FUSION WELDS ON ALL LONGITUDINAL SEAMS.

STATIC PRESSURE

-6"WG -10"WG

OTHER: _____

PART NUMBER	DESCRIPTION				GA	QTY	REMARKS
	A	B	D	E			

SSTEELCOAT[®] ELBOW - 45° (2 gore)