

VIRON[®] INTERNATIONAL CORP.

OWOSSO, MICHIGAN TEMPLE, TEXAS
989-723-8255

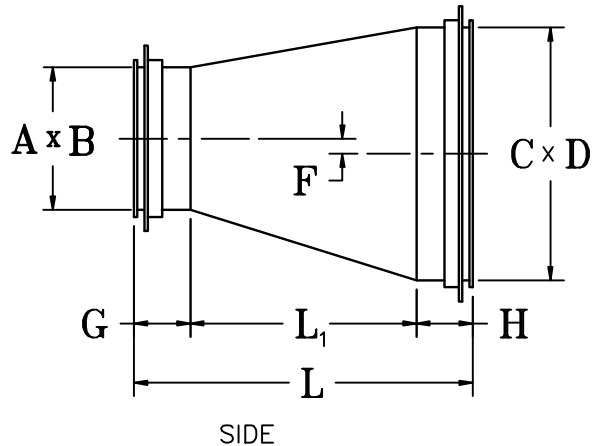
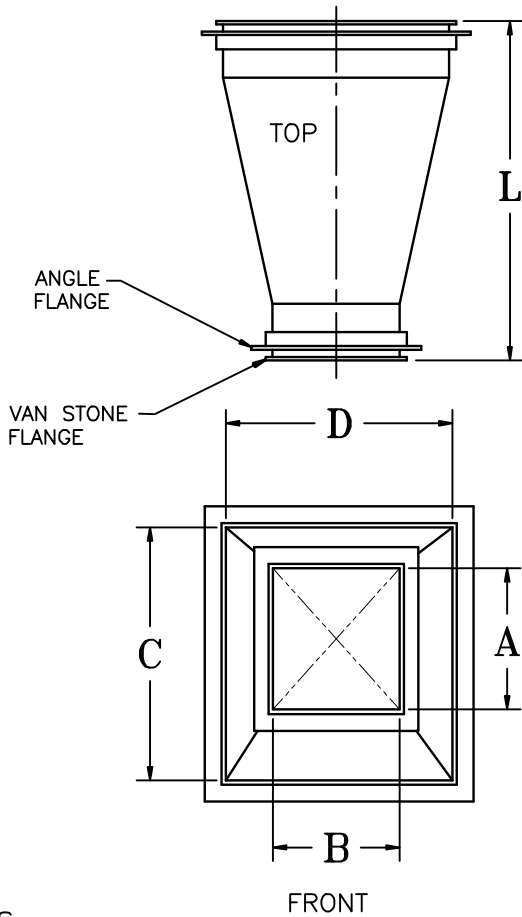
989-723-8417 FAX EMAIL: vironinfo@vironintl.com

ENVIRONMENTAL CONTROL SYSTEMS

USER	
REP.	
JOB NO.	
DATE	SHEET OF
DRAWN BY	

STANDARD LENGTHS

C x D	L
6" & UNDER	12"
8"	14"
10" TO 12"	24"
14" TO 18"	30"



NOTES:

- 304L 316L SST MATERIAL WITH 2B FINISH.
- 304 SST ANGLE DRILLED.
- HALAR COATING, INTERIOR ONLY.
- TIG WELDS ONLY.
- FUSION WELDS ON ALL LONGITUDINAL SEAMS.
- "G" & "H" REQUIRE A 3" MINIMUM LENGTH.

STATIC PRESSURE

-6"WG -10"WG

OTHER: _____

PART NUMBER	DESCRIPTION									GA	QTY
	A	B	C	D	F	G	H	L	L ₁		

SSTEELCOAT[®] RECTANGULAR, TAPER OFFSET (1) WAY