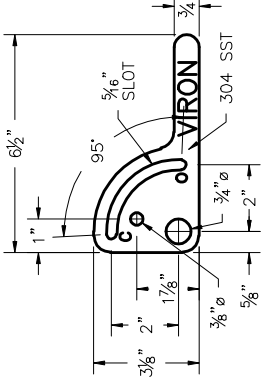
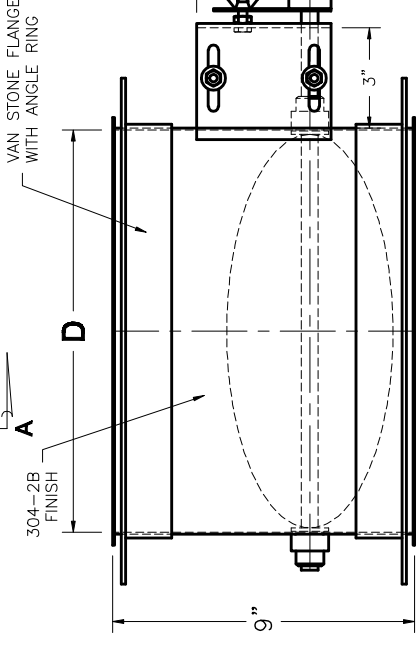
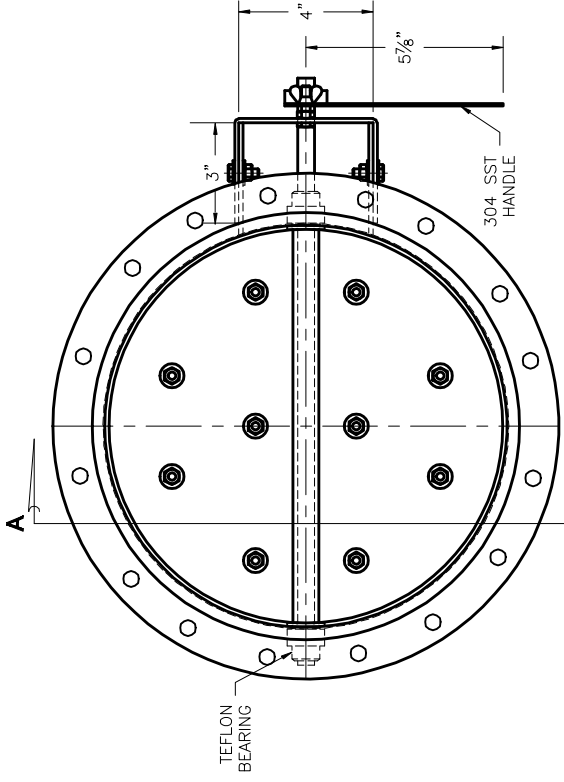


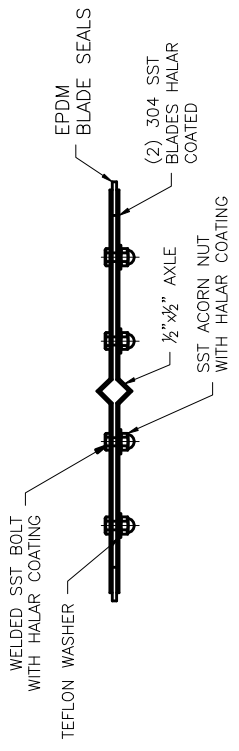
BLADE & AXLE	
DAMPER Ø	GAGE AXLE Ø
4" - 16"	16
	1/2"

HOUSING GA	
DAMPER Ø	GAGE
4" - 16"	18

PART NO	DAMPER Ø	QTY.
	4"	
	6"	
	8"	
	10"	
	12"	
	14"	
	16"	



**HANDLE DETAIL**



**SECTION A-A**

**4" Ø - 16" Ø 304 SST / HALAR LOW LEAKAGE BUTTERFLY DAMPER WITH HANDLE**

STATIC PRESSURE

-6" WG     -10" WG

-30" WG     \_\_\_\_\_



**VIRON**® INTERNATIONAL CORP.  
 OWOSSO, MICHIGAN    TEMPLE, TEXAS  
 989-723-8255  
 989-723-8417 FAX EMAIL: [vironinfo@vironintl.com](mailto:vironinfo@vironintl.com)  
 ENVIRONMENTAL CONTROL SYSTEMS

USER \_\_\_\_\_

REP. \_\_\_\_\_

JOB NO. \_\_\_\_\_

DATE \_\_\_\_\_ SHEET \_\_\_\_\_ OF \_\_\_\_\_

DRAWN BY \_\_\_\_\_