

VIRON[®] INTERNATIONAL CORP.

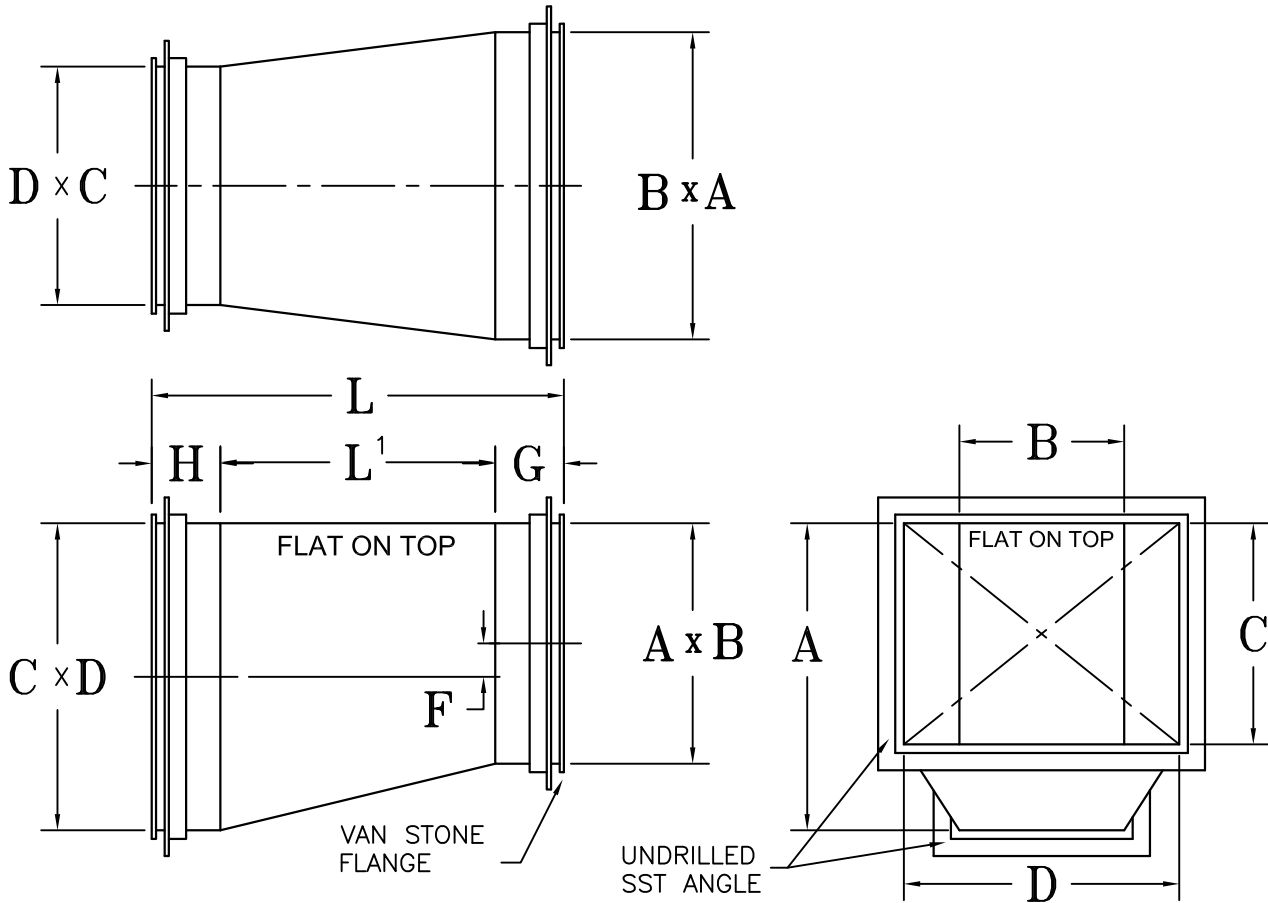
OWOSSO, MICHIGAN TEMPLE, TEXAS

989-723-8255

989-723-8417 FAX EMAIL: vironinfo@vironintl.com

ENVIRONMENTAL CONTROL SYSTEMS

USER	
REP.	
JOB NO.	
DATE	SHEET OF
DRAWN BY	



NOTES:

- 304L 316L SST MATERIAL WITH 2B FINISH.
- 304 SST ANGLE DRILLED.
- HALAR COATING, INTERIOR ONLY.
- TIG WELDS ONLY.
- FUSION WELDS ON ALL LONGITUDINAL SEAMS.
- G & H REQUIRE A 3" MINIMUM LENGTH.

STATIC PRESSURE

-6"WG -10"WG

OTHER: _____

PART NUMBER	DESCRIPTION								L ₁	GA	QTY	
	A	B	C	D	F	G	H	L				

SSTEELCOAT[®] RECTANGULAR, TAPER FLAT ON TOP