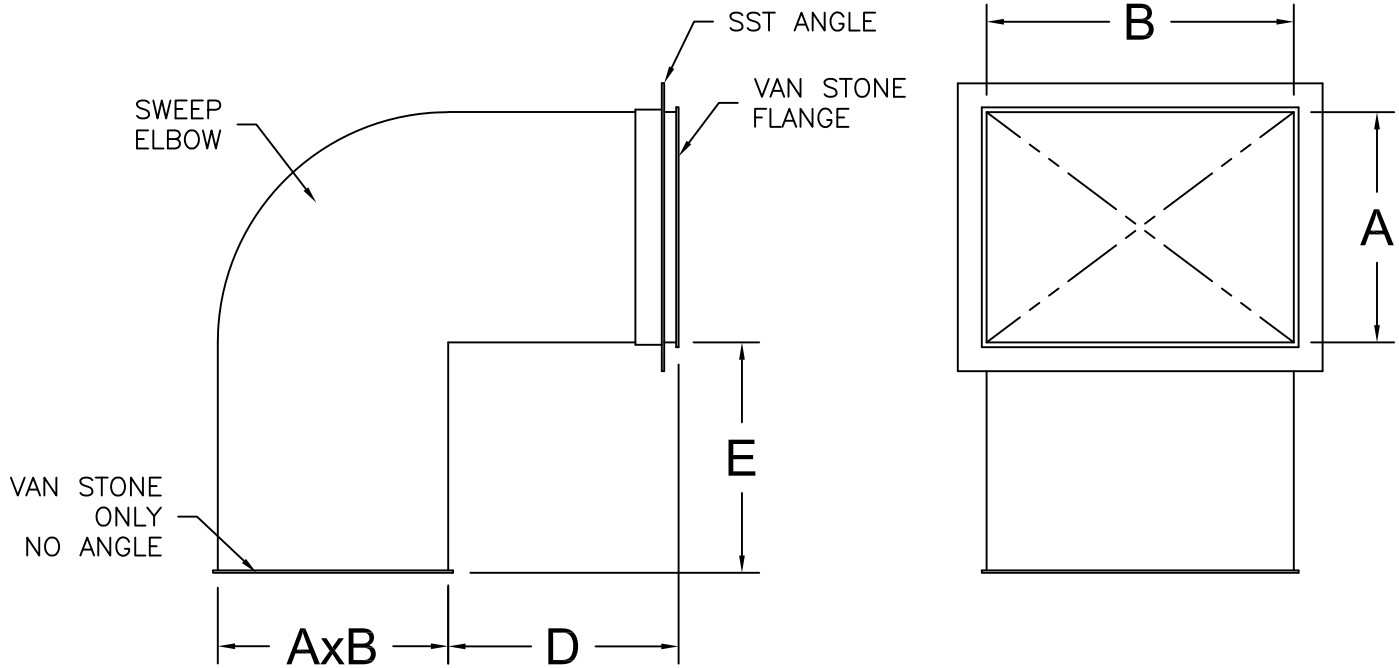


**VIRON<sup>®</sup> INTERNATIONAL CORP.**

OWOSSO, MICHIGAN      TEMPLE, TEXAS  
 989-723-8255  
 989-723-8417 FAX    EMAIL: vironinfo@vironintl.com  
 ENVIRONMENTAL CONTROL SYSTEMS

USER	
REP.	
JOB NO.	
DATE	SHEET OF
DRAWN BY	



**NOTES:**

- 304L  316L SST MATERIAL WITH 2B FINISH.
- 304 SST DRILLED ANGLE.
- HALAR COATED INTERIOR ONLY.
- FUSION WELDS ON ALL LONGITUDINAL SEAMS.
- ALL ANGLE RINGS OVER 30"Ø WILL BE STITCH WELDED.

<u>STATIC PRESSURE</u>	
<input type="checkbox"/> -6"WG	<input type="checkbox"/> -10"WG

PART NO.	DESCRIPTION				GA	QTY	REMARKS
	A	B	D	E			

**SSTEELCOAT<sup>®</sup> RECTAGULAR ELBOW**