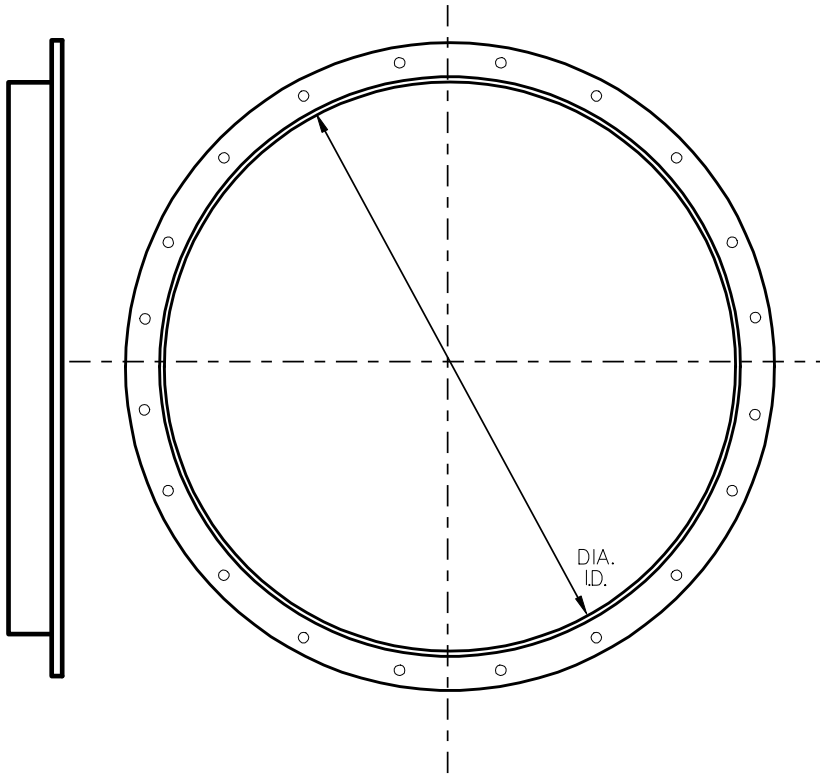


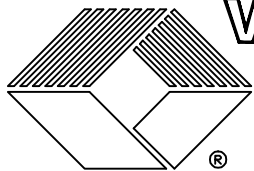
3"Ø THRU 48"Ø

SIZE CHART

PART NUMBER	DIA	I.D.	# HOLES	HOLE SIZE	B.C.	ANGLE SIZE	QTY.
	3"	3 1/16"	6	9/32"	4 5/16"	10GA	
	4"	4 1/16"	6	9/32"	5 5/16"	10GA	
	6"	6 3/16"	6	7/16"	7 1/2"	1 1/4" x 1 1/4" x 1/8"	
	8"	8 1/8"	8	7/16"	9 1/2"	1 1/4" x 1 1/4" x 1/8"	
	10"	10 1/8"	8	7/16"	11 1/2"	1 1/4" x 1 1/4" x 1/8"	
	12"	12 1/8"	12	7/16"	13 3/4"	1 1/2" x 1 1/2" x 1/8"	
	14"	14 1/8"	12	7/16"	15 3/4"	1 1/2" x 1 1/2" x 1/8"	
	16"	16 1/8"	16	7/16"	17 3/4"	1 1/2" x 1 1/2" x 3/16"	
	18"	18 1/8"	16	7/16"	19 3/4"	1 1/2" x 1 1/2" x 3/16"	
	20"	20 1/8"	20	7/16"	21 3/4"	1 1/2" x 1 1/2" x 3/16"	
	22"	22 1/8"	20	7/16"	23 3/4"	1 1/2" x 1 1/2" x 3/16"	
	24"	24 1/8"	20	7/16"	25 3/4"	1 1/2" x 1 1/2" x 3/16"	
	26"	26 1/4"	24	7/16"	28 1/2"	2" x 2" x 3/16"	
	28"	28 1/4"	24	7/16"	30 1/2"	2" x 2" x 3/16"	
	30"	30 1/4"	28	7/16"	32 1/2"	2" x 2" x 3/16"	
	32"	32 1/4"	28	7/16"	34 1/2"	2" x 2" x 3/16"	
	34"	34 1/4"	32	7/16"	36 1/2"	2" x 2" x 3/16"	
	36"	36 1/4"	32	7/16"	38 1/2"	2" x 2" x 3/16"	
	38"	38 1/4"	36	7/16"	40 1/2"	2" x 2" x 3/16"	
	40"	40 1/4"	36	7/16"	42 1/2"	2" x 2" x 3/16"	
	42"	42 1/4"	40	7/16"	44 1/2"	2" x 2" x 3/16"	
	44"	44 1/4"	40	7/16"	46 1/2"	2" x 2" x 3/16"	
	46"	46 1/4"	44	7/16"	48 1/2"	2" x 2" x 3/16"	
	48"	48 1/4"	44	7/16"	50 1/2"	2" x 2" x 3/16"	



SST LOOSE ANGLE RING



VIRON® INTERNATIONAL CORP.

OWOSSO, MICHIGAN TEMPLE, TEXAS
989-723-8255

989-723-8417 FAX EMAIL: vironinfo@vironintl.com

ENVIRONMENTAL CONTROL SYSTEMS

USER	
REP.	
JOB NO.	
DATE	SHEET OF
DRAWN BY	