

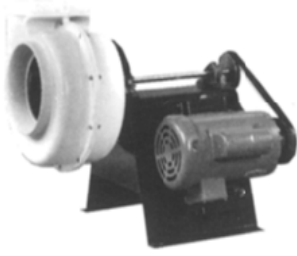
# FRP LAB BLOWER



**VIRON®**

**INTERNATIONAL**

# FRP LAB BLOWER



VIRON® is a leading manufacturer of corrosion resistant fiberglass lab blowers with over 35 years of experience. VIRON's modern facilities in Michigan and Texas operate the most modern equipment and efficient manpower found in the blower business. Each lab blower is fabricated and assembled in VIRON's plants. All blowers are tested and balanced at the speed at which they will operate. Electronic dynamic balancing guarantees smooth, vibration-free performance.

VIRON® VLB-700 Series Blowers are designed to remove corrosive fumes from industrial and institutional facilities where production, research, product development, and medical work is done. This lightweight air moving device is ideal for use in hospitals, university research buildings, R & D facilities, chemical plants, and pharmaceutical production.

### STANDARD DESIGN PARAMETERS

1. High Efficiency
2. Easy Maintenance
3. Minimum Operating Cost
4. Structural Integrity

## STANDARD SPECIFICATIONS

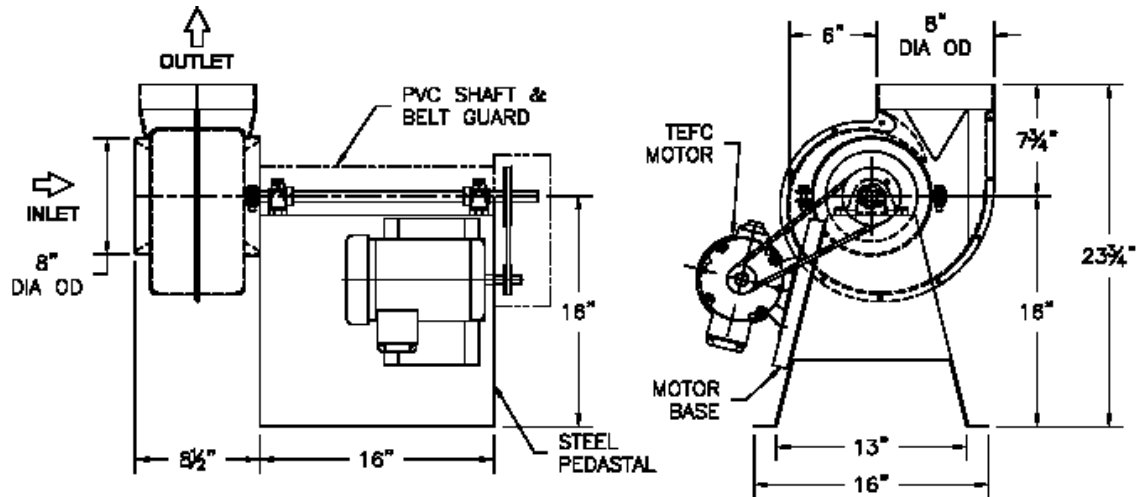
- **SIZE:** 8" diameter wheel
- **INLET:** 8" diameter
- **OUTLET:** 8" diameter
- **MOTOR:** All motors are TEFC as standard. Explosion Proof and ODP types are available upon request.
- **BELTS** - All belts are industrial grade V-belt type.
- **BEARINGS** - All bearings are heavy duty, self aligning and ball bearing type.
- **HARDWARE** - All hardware used in the airstream is stainless steel.
- **WHEELS** - All blower wheels are polypropylene material, forward curve design.
- **BALANCING** - All wheels are dynamically balanced.
- **RESIN** - Blower housings are manufactured from corrosion resistant polyester resin. Resin used is Reichhold 6693FR. Flame retardant additives are used to lower the flame spread to below 25.
- **TEMPERATURE** - Maximum operating temperature on all lab blowers is 140°F.
- **PEDESTAL BASE** - All pedestal bases are constructed of heavy gauge steel. This base design insures smooth performance and structural integrity.
- **HOUSING** - All blower housings are manufactured in two pieces. This allows your facilities department to easily handle maintenance of the blower.
- **EXTERIOR HOUSING** - All blower housings have an industrial grade gel coat exterior. The standard color is VIRON® beige which has UV inhibitors for both interior and exterior use.
- **ROTATION** - All blowers are counterclockwise in rotation as standard. Clock-wise rotation is available upon request.

## BLOWER PERFORMANCE DATA SERIES VLB-700

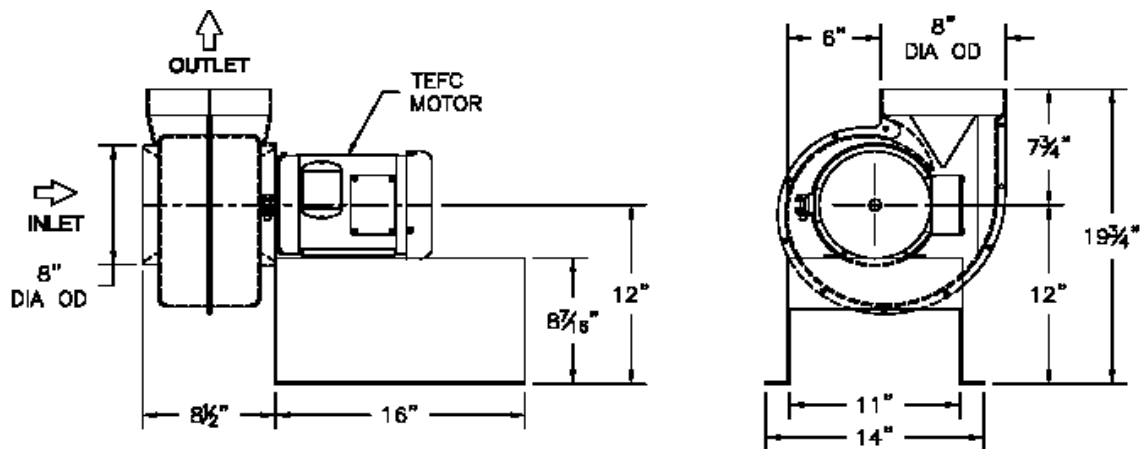
MODEL	HP	RPM DRIVE	CFM @ STATIC PRESSURE															
			1/8"	1/4"	3/8"	1/2"	3/4"	1"	1-1/4"	1-1/2"	1-3/4"	2"	2-1/4"	2-1/2"	2-3/4"	3"	3-1/2"	4"
VLB-701	1/3 HP	1140 DIRECT	760	750	710	670	420											
VLB-702	1/3 HP	1140 BELT	760	750	710	670	420											
VLB-703	1/2 HP	1440 BELT	1010	960	920	900	820	710										
VLB-704	3/4 HP	1725 DIRECT	1250	1240	1230	1210	1150	1090	1010	870								
VLB-705	3/4 HP	1725 BELT	1250	1240	1230	1210	1150	1090	1010	870								
VLB-706	1 HP	2010 BELT	1460	1450	1430	1420	1400	1345	1300	1210	1140	1020						
VLB-707	3 HP	2275 BELT	1710	1705	1700	1685	1650	1600	1560	1540	1500	1440	1390	1250				
VLB-708	3 HP	2800 BELT	2000	1990	1980	1970	1960	1950	1930	1890	1855	1830	1795	1760	1730	1690	1600	1400

**NOTE:** The above unit can be custom manufactured for any CFM/Static Pressure (maximum RPM of 2800 and 4" SP) combination. Please consult your local representative or the factory.

## BELT DRIVE DATA



## DIRECT DRIVE DATA



**NOTE:** Dimensions should not be used for construction. Certified prints available when required.  
Direct Drive Fan Motors are available only in 1140 and 1725 RPM.  
Belt Drive Fans can be configured in any RPM combination upon special request.

- **LIMITED WARRANTY**

VIRON<sup>®</sup> INTERNATIONAL warrants to the dealers and owners its VIRON<sup>®</sup> products and parts to be free from defects in workmanship and material under normal use and services for one (1) year after the date of shipment by VIRON to the first retail purchaser or first user: if and only if VIRON<sup>®</sup> is notified in writing of the defect within fourteen (14) days from date that the defect is discovered. Written notice of defects discovered within the final fourteen (14) days of the warranty period must be sent to VIRON<sup>®</sup> via facsimile or first class mail prior to the expiration of the warranty period otherwise this warranty shall be void. Our obligation under this warranty is expressly limited to repairing or replacing at our option, without cost at our factory any part or parts thereof which shall be returned to and received by VIRON<sup>®</sup> within such warranty period with transportation charges both to and from VIRON<sup>®</sup> prepaid, and which our examination shall disclose to our satisfaction to have been defective. In the event a defect is discovered within the final seven days of the warranty period, the returned goods must be received by VIRON<sup>®</sup> at VIRON<sup>®</sup>'s facility within seven days following expiration of the warranty period. Any request for repair or replacement should be directed to VIRON<sup>®</sup> INTERNATIONAL, Owosso, MI.

If examined equipment is found not to be defective or for some other reason not to be within the warranty coverage, seller's service time expended on and off location will be charged to the purchaser. This warranty gives you specific legal rights which vary from state to state. FAILURE TO PAY THE INVOICE IN FULL WILL RESULT IN VOIDING ANY AND ALL WARRANTIES.

- **LIMITATION OF WARRANTY AND LIABILITY**

This warranty does not apply to such VIRON<sup>®</sup> products and parts which in the sole judgment of VIRON<sup>®</sup> have failed as a result of faulty installation or abuse, or incorrect electrical connections or alterations, made by others, or use under abnormal operating conditions or misapplication of products and parts.

This warranty does not apply to damage resulting from shipment or storage of VIRON<sup>®</sup> products. Purchaser acknowledges that VIRON<sup>®</sup> products contain rotating parts that may be damaged by the forces of nature if not installed or put to their intended use within seven (7) days of delivery. THIS WARRANTY DOES NOT COVER COMPONENT PARTS THAT CARRY A SEPARATE WARRANTY FROM THE MANUFACTURER OF THE COMPONENT PART.

VIRON<sup>®</sup> will not approve for payment any repair made outside its factory without prior written consent of its Owosso, Michigan office. The foregoing shall constitute our sole and exclusive warranty and our sole and exclusive liability and is in lieu of all other warranties, whether written, oral, implied or statutory.

THERE ARE NO WARRANTIES WHICH EXTEND BEYOND THE DESCRIPTION ON THE PAGE HEREOF. SELLER DOES NOT WARRANT MERCHANTABILITY THAT SAID GOODS AND ARTICLES ARE OF MERCHANTABILITY QUALITY, OR THAT THEY ARE FIT FOR ANY PARTICULAR PURPOSE.

The liability of any seller on any claim of any kind, including contract, warranty, tort, or negligence, for any loss or damage arising out of or connected with or resulting from the sale and purchase of products and parts covered by any VIRON<sup>®</sup> proposal, acknowledgement, order, or from the performance or breach of any contract pertaining to such sale or purchase, or from the design, manufacture, sale, delivery, resale, installation, technical direction in installation, inspection, repair, operation or use of any products or parts covered by any VIRON<sup>®</sup> proposal, acknowledgement, order or furnished by seller, shall in no case exceed the price as paid by purchaser allocable to the products or parts thereof which give rise to the claim and shall terminate one year after shipment of said products and parts.

IN NO EVENT, WHETHER AS A RESULT OF BREACH OF CONTRACT, OR WARRANTY, OR TORT, OR ALLEGED NEGLIGENCE, DEFECTS, INCORRECT ADVICE OR OTHER CAUSES, SHALL SELLER BE LIABLE FOR SPECIAL, INCIDENTAL OR CONSEQUENTIAL DAMAGES, including but not limited to loss of profits or revenue, loss of use of the equipment or any associated equipment, cost of removal or reinstallation or any cost associated therewith, cost capital, cost of substitute equipment, facilities or services, down time cost, or claims of customers of the purchase of such damages.

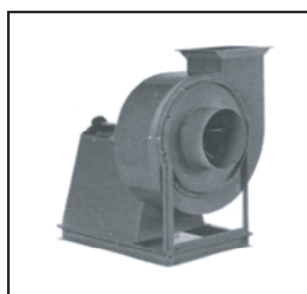
VIRON<sup>®</sup> neither assumes nor authorizes any person to assume for it any other liability in connection with the sale of its products and parts. Some states do not allow the exclusion or limitation of incidental or consequential damages, so all of the above limitations or exclusions may not apply to you.



Centrifugal Fan  
VCF-100



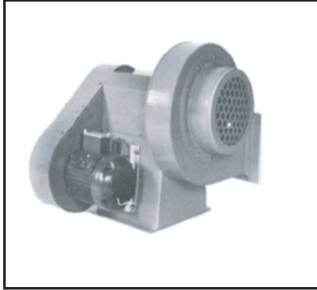
Inline Centrifugal Fan  
VIF-200



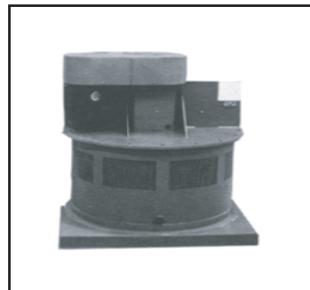
Radial Blower  
VRB-600



Lab Blower  
VLB-700



PushBlower  
VPB-800



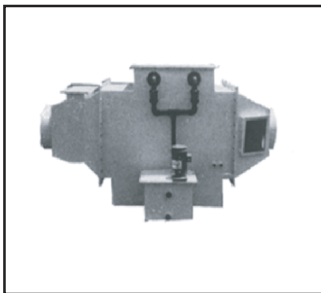
Roof Ventilator  
VRV-900



Centrifugal Fan  
VCB-1100



Gravity Relief Ventilator  
VGR-1300



Horizontal Scrubber  
VHS-Series



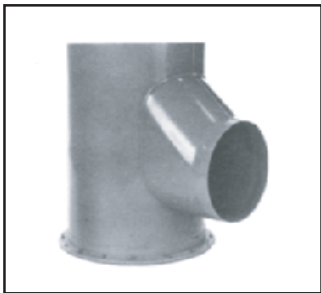
Vertical Scrubber  
VVS-Series



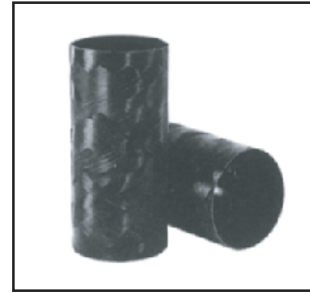
Blower-Scrubber  
VBS-Series



VIRO-CHROME 9000®  
VCS-Series



VI-A-DUC®  
FM Approved PVC Duct



VIRO-DUC®  
FM Approved FRP Duct



SSTEELCOAT®  
FM Approved Duct



FRP Duct  
ICBO Approved



VI-A-TROL®  
AMCA Approved Damper



PVC & FRP  
Blastgates



FRP Parallel  
Blade Damper



FRP Fixed Louver



# VIRON® INTERNATIONAL CORP.

505 HINTZ ROAD  
OWOSSO, MI 48867-9603  
989-723-8255  
FAX: 989-723-8417

EMAIL: [info@vironintl.com](mailto:info@vironintl.com)  
WEB: [www.vironintl.com](http://www.vironintl.com)